

8

7

6

5

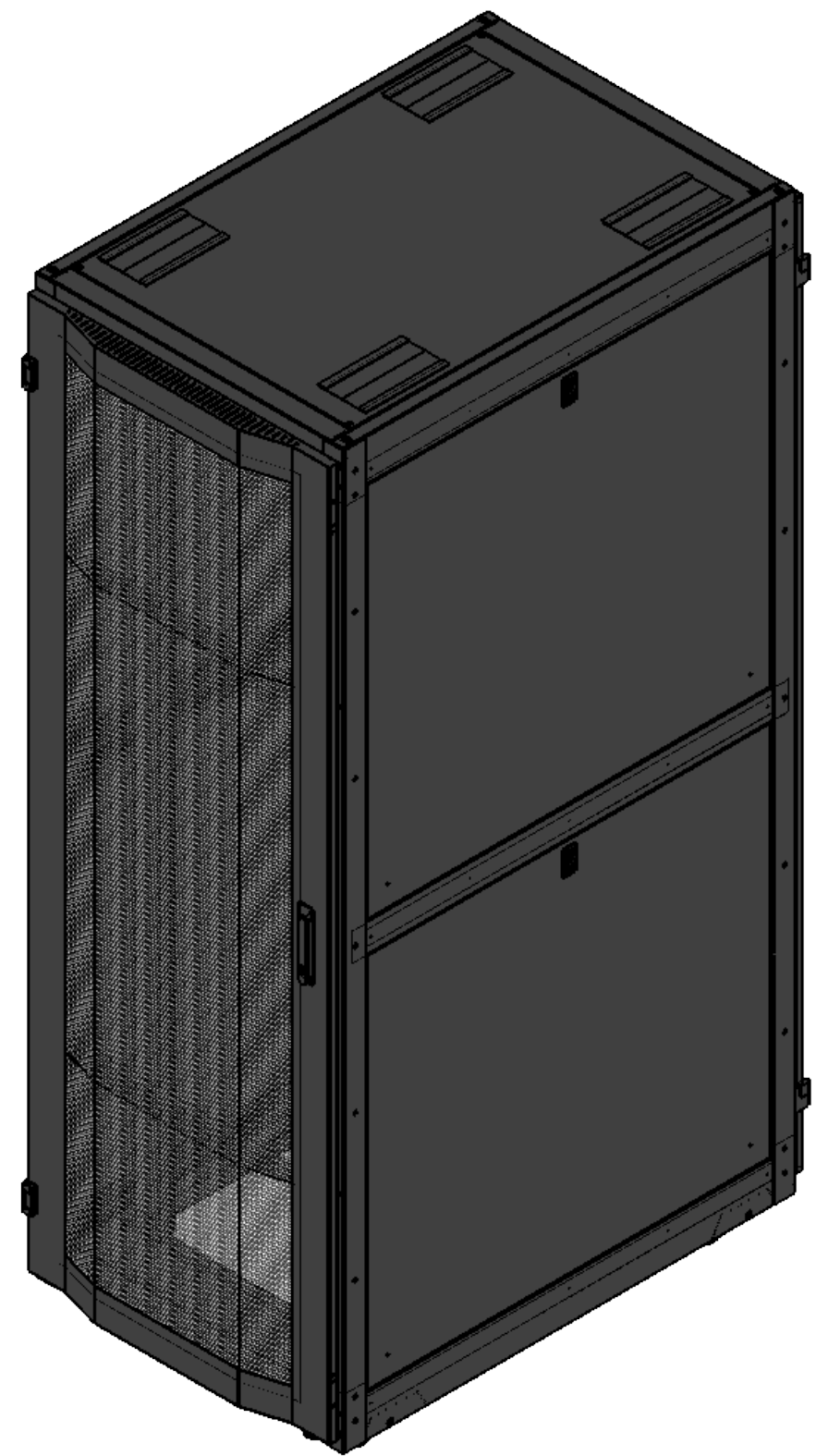
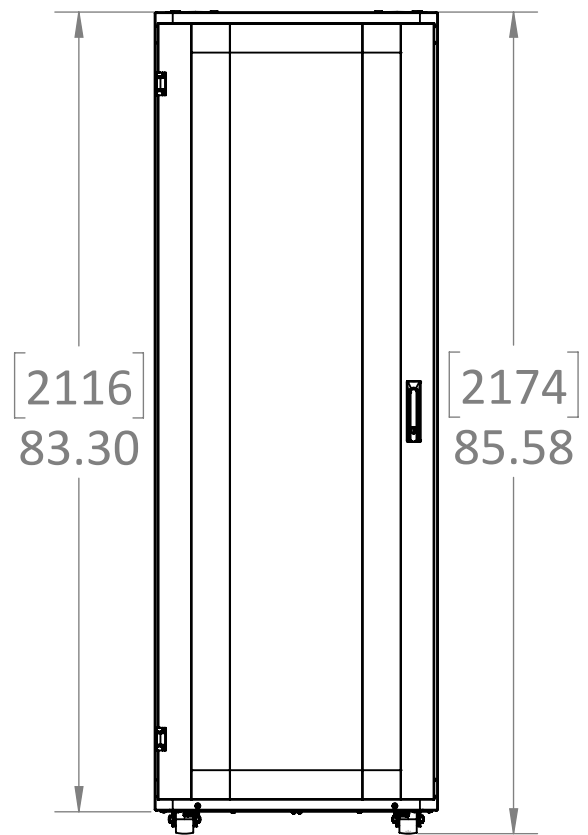
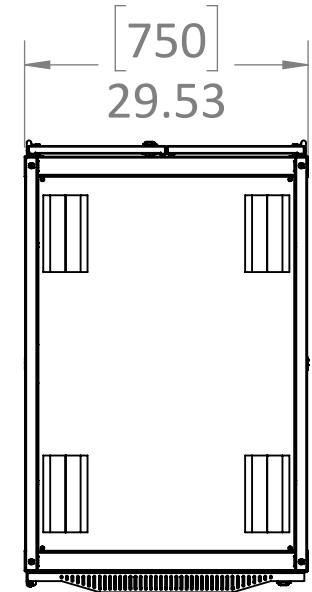
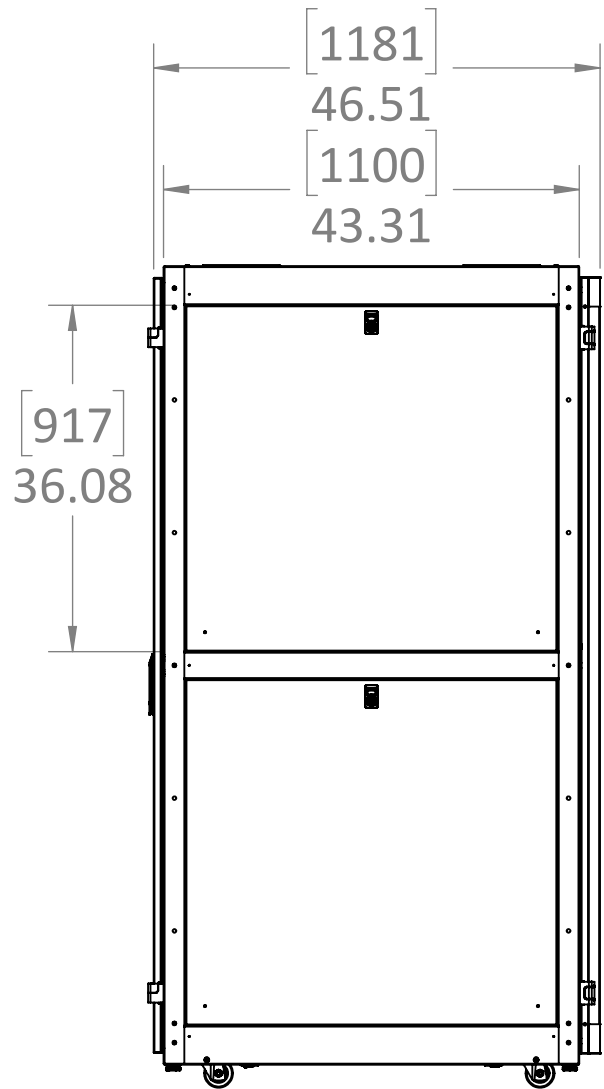
4

3

2

1

ITEM #	PART NUMBER	CONFIGURATION	DESCRIPTION	MATERIAL	QTY
1	RXL-5500	X453044	45U x 30in. W x 44in. D Nemesis Cabinet Frame		1
2	RXL-5546	X4530	45U x 30in.W Trapezoid Front Door		1
3	RXL-5551	X4530P	45U x 30in. W x Perforated Nemesis Split Doors		1
4	RXL-5391	X3044B	30in. W x 44in. D x Brush Top Panel		1
5	RXL-5390	X4544	45in. H X 44in. D Side Panel		4
6	RXL-5549	X4530S	45U X 30in. W Nemesis Rail, Square Punched		2



RXL
 PROPRIETARY AND CONFIDENTIAL:
 THE INFORMATION CONTAINED IN THIS
 DRAWING IS THE SOLE PROPERTY OF RXL.
 ANY REPRODUCTION IN PART OR AS A
 WHOLE WITHOUT THE WRITTEN
 PERMISSION OF RXL IS PROHIBITED.

SERIES/FAMILY NUMBER:
RXL-5550

DESCRIPTION:
 45U x 30in. W x 44in. D Square Punched, Standard Nemesis Cabinet

REVISION **B** DATE **8/26/2022** REVISION DESCRIPTION:
 Arc Door => Trapezoid door

CONFIGURATION (SEE TABLE DETAILS/"X" DENOTES COLOR):
X453044S

COMMENTS/FOLDER PATH:
 B:\RXL Inc\RXL Engineering - General\RXL\Section 5 - Cabinets and Enclosures\RXL-5550 Nemesis V5\

UNLESS OTHERWISE SPECIFIED:
 DIMENSIONS ARE IN INCHES
 TOLERANCES: ±0.03
 FRACTIONAL: ±1/32
 ANGULAR: ±1°
 TWO PLACE DECIMAL ±0.03
 THREE PLACE DECIMAL ±0.030

MATERIAL:
 FINISH:
 WEIGHT: SURFACE AREA:

FULL PART NUMBER:
 RXL-5550-X453044S
 DRAWN BY: Jackson Chong
 DRAWN DATE: 2/12/2019
 DO NOT SCALE DRAWING Scale: 1:4 DRAWING SIZE: B SHEET 1 OF 3

8

7

6

5

4

3

2

1

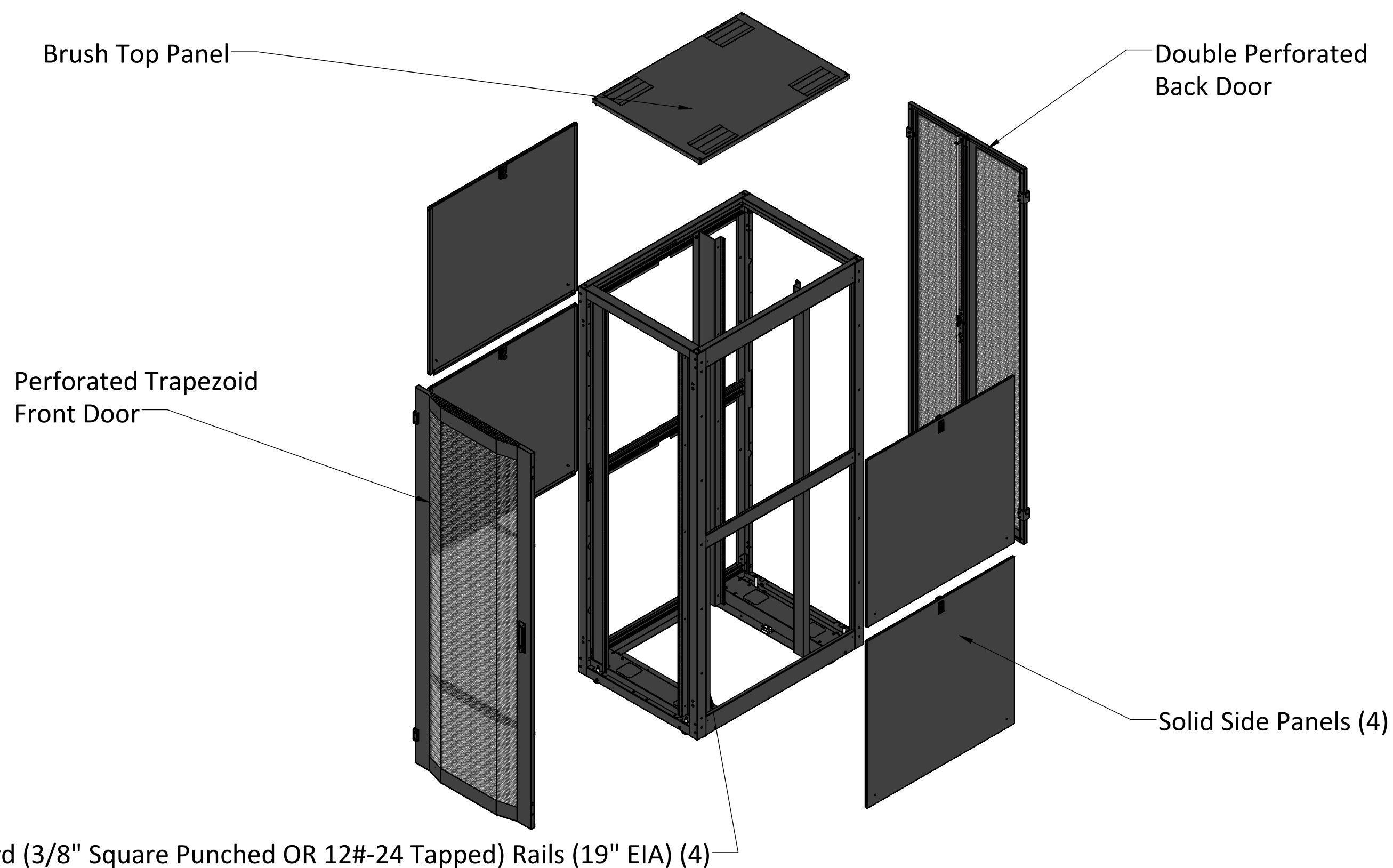
F
E
D
C
B
A

F
E
D
C
B
A

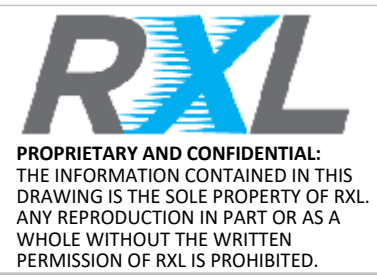
8 7 6 5 4 3 2 1

F
E
D
C
B
A

F
E
D
C
B
A



Standard (3/8" Square Punched OR 12#-24 Tapped) Rails (19" EIA) (4)



SERIES/FAMILY NUMBER: RXL-5550		CONFIGURATION (SEE TABLE DETAILS/"X" DENOTES COLOR): X453042S		COMMENTS/FOLDER PATH: B:\RXL Inc\RXL Engineering - General\RXL\Section 5 - Cabinets and Enclosures\RXL-5550 Nemesis V5\					
DESCRIPTION: 45U x 30in. W x 42in. D Square Punched, Standard Nemesis Cabinet				UNLESS OTHERWISE SPECIFIED: DIMENSIONS ARE IN INCHES TOLERANCES: ±0.03 FRACTIONAL: ±1/32 ANGULAR: ±1° TWO PLACE DECIMAL ±0.03 THREE PLACE DECIMAL ±0.030		MATERIAL:		FULL PART NUMBER: RXL-5550-X453042S	
REVISION B	DATE 8/26/2022	REVISION DESCRIPTION: Arc Door => Trapezoid door		FINISH:		WEIGHT:		DRAWN BY: Jackson Chong DRAWN DATE: 2/12/2019	
				SURFACE AREA:		DO NOT SCALE DRAWING Scale: 1:4		DRAWING SIZE: B SHEET 2 OF 3	

8 7 6 5 4 3 2 1

4 4 3 3 2 2 1 1

B

B

B

A

A

B

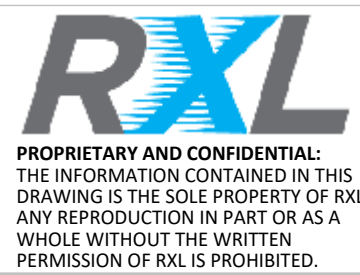
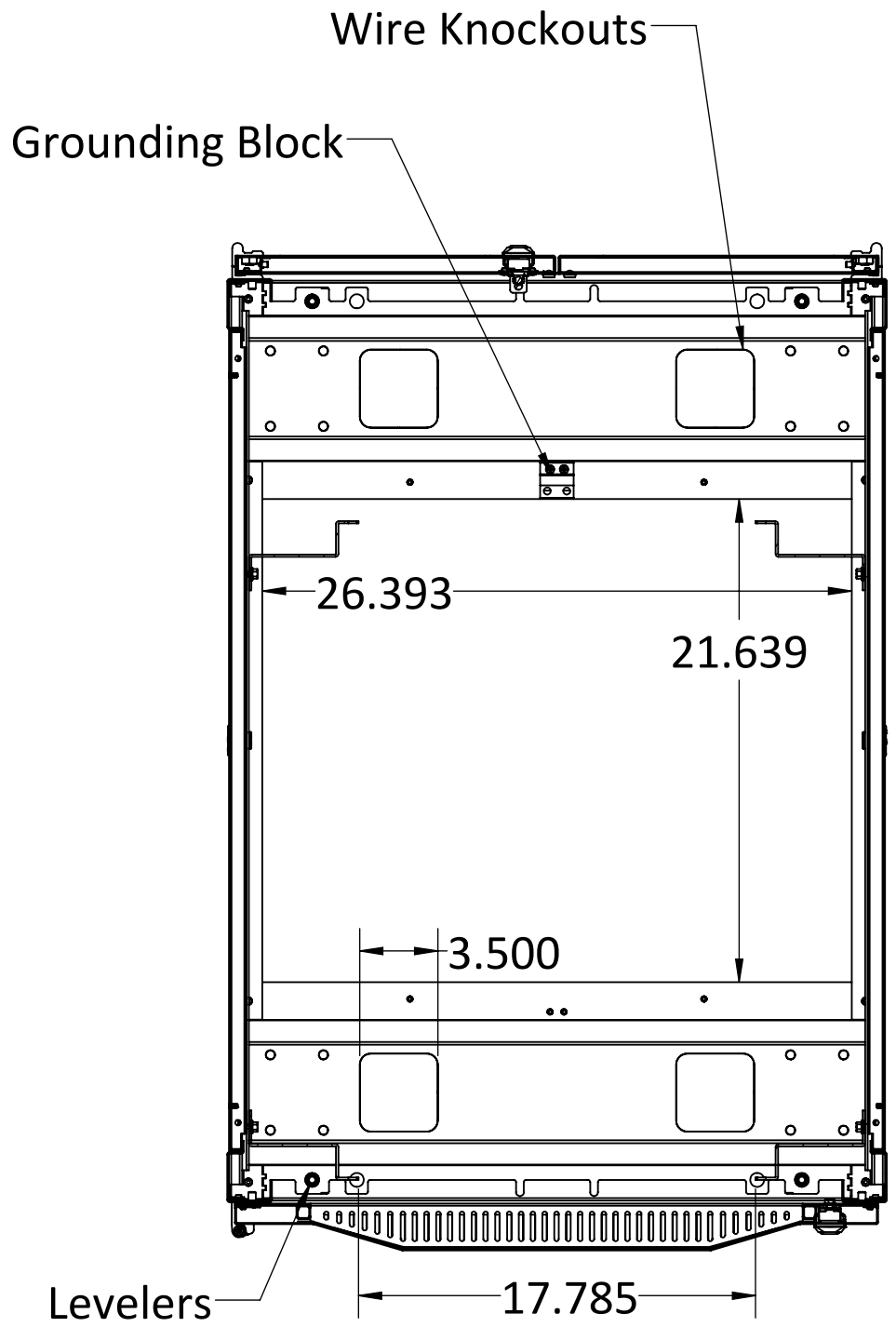
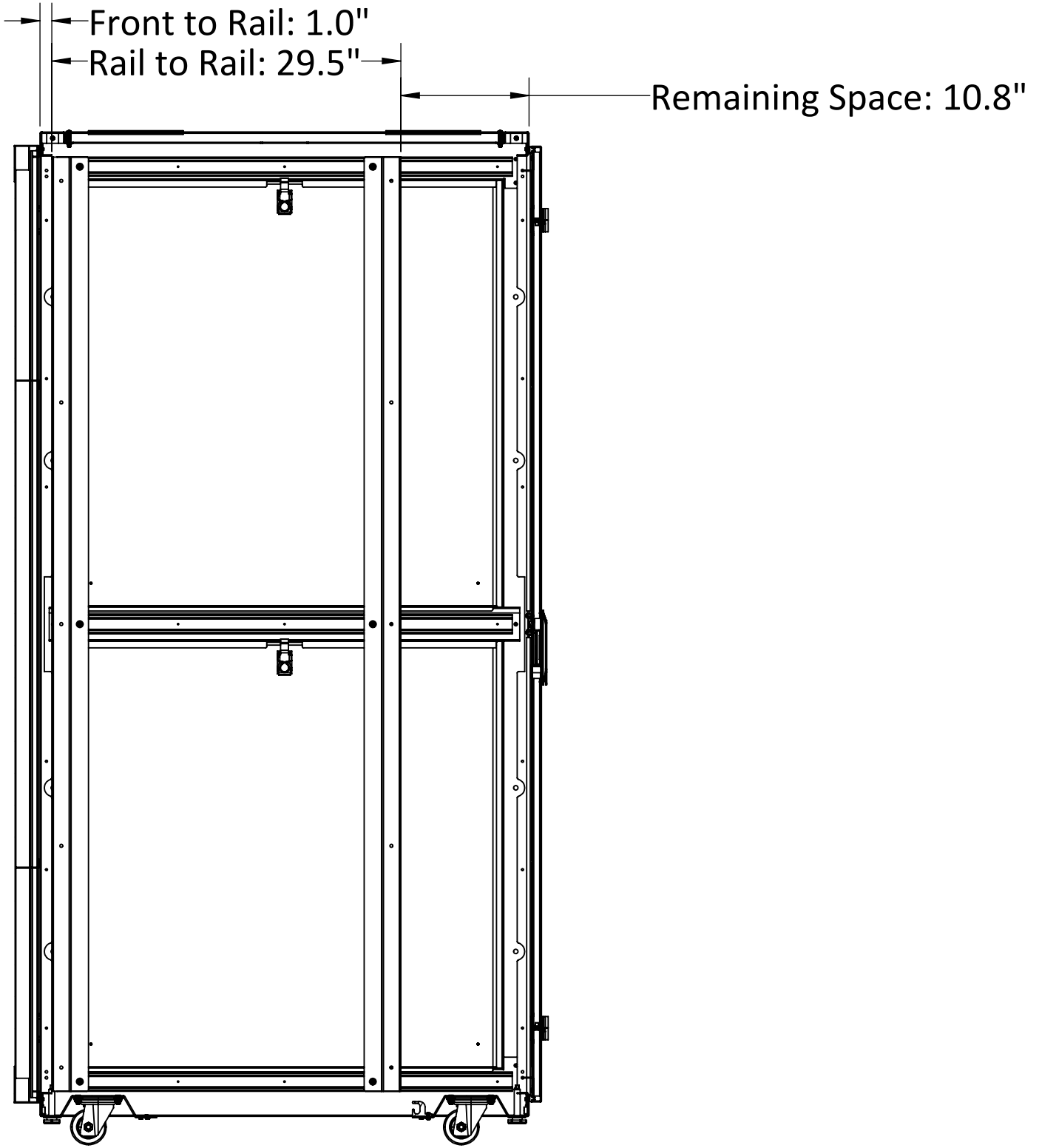
B

B

A

A

A



SERIES/FAMILY NUMBER: RXL-5550		CONFIGURATION (SEE TABLE DETAILS/"X" DENOTES COLOR): X453042S
DESCRIPTION: 45U x 30in. W x 42in. D Square Punched, Standard Nemesis Cabinet		
REVISION B	DATE 8/26/2022	REVISION DESCRIPTION: Arc Door => Trapezoid door

COMMENTS/FOLDER PATH:
 B:\RXL Inc\RXL Engineering - General\RXL\Section 5 - Cabinets and Enclosures\RXL-5550 Nemesis V5\

UNLESS OTHERWISE SPECIFIED:
 DIMENSIONS ARE IN INCHES
 TOLERANCES: ±0.03
 FRACTIONAL: ±1/32
 ANGULAR: ±1°
 TWO PLACE DECIMAL ±0.03
 THREE PLACE DECIMAL ±0.030

MATERIAL:	FULL PART NUMBER: RXL-5550-X453042S
FINISH:	DRAWN BY: Jackson Chong
WEIGHT:	DRAWN DATE: 2/12/2019
SURFACE AREA:	DO NOT SCALE DRAWING Scale: 1:4
	DRAWING SIZE: B SHEET 3 OF 3

4 4 3 3 2 2 1 1