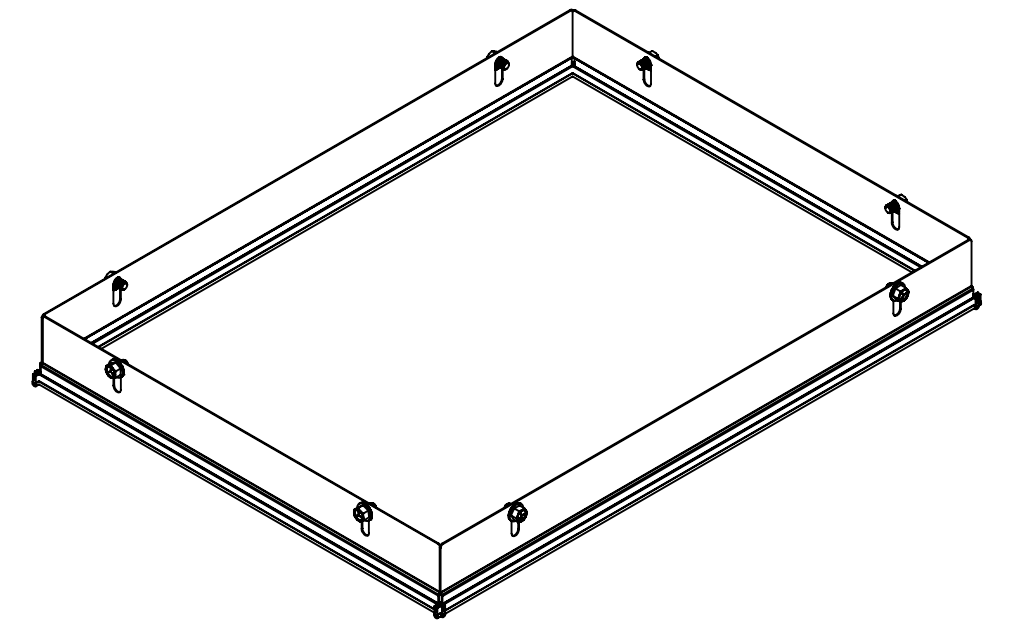
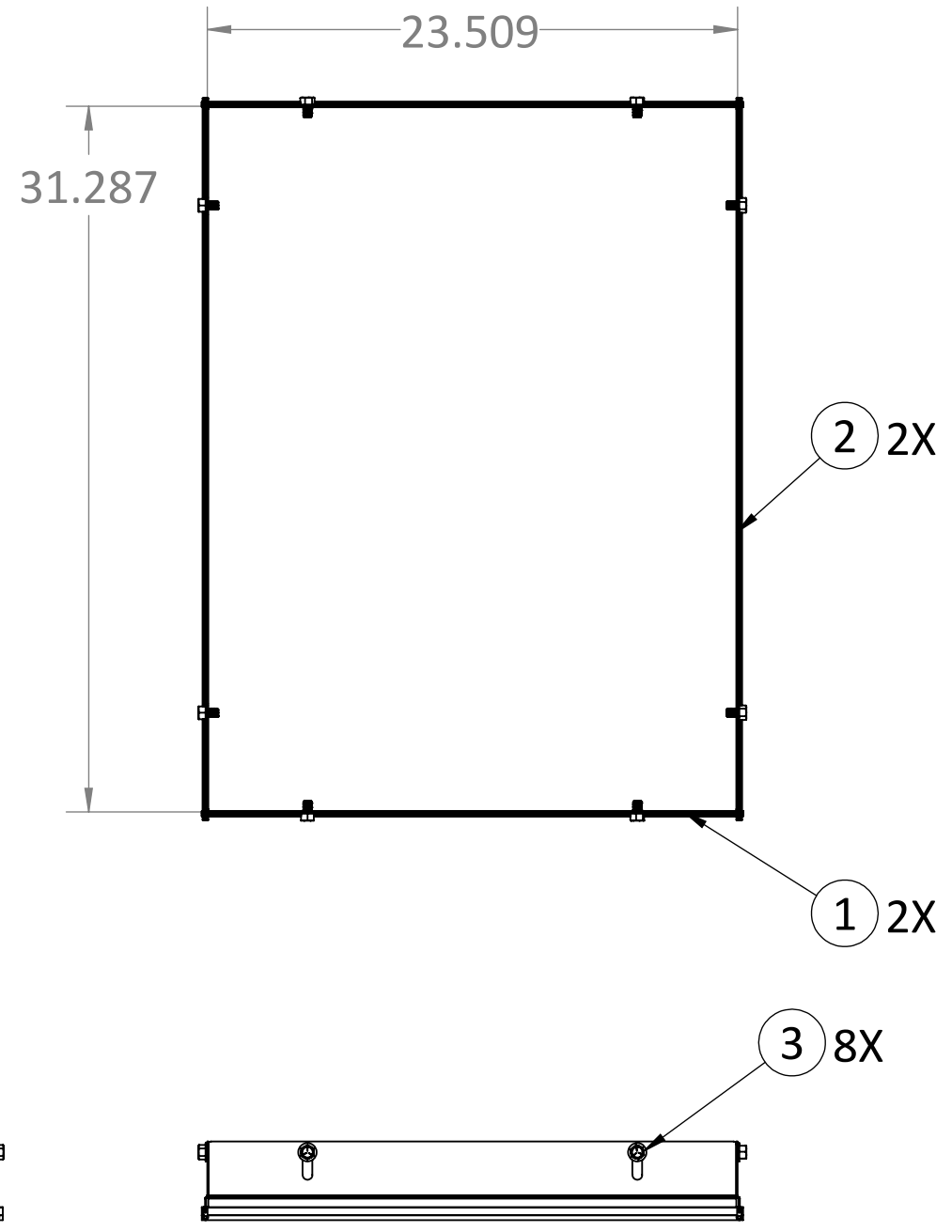


ITEM #	PART NUMBER	CONFIGURATION	DESCRIPTION	MATERIAL	QTY
1	AS-5389-01	X24	SKIRT HARDWARE ASSEMBLY		2
2	AS-5389-01	X32	SKIRT HARDWARE ASSEMBLY		2
3	BLT-SF	3816-0500-X	Serrated Flange Head Bolt, 3/8"-16 Thread, 0.5in. Long	PURCHASE PART	8



**RXL**  
 PROPRIETARY AND CONFIDENTIAL:  
 THE INFORMATION CONTAINED IN THIS  
 DRAWING IS THE SOLE PROPERTY OF RXL.  
 ANY REPRODUCTION IN PART OR AS A  
 WHOLE WITHOUT THE WRITTEN  
 PERMISSION OF RXL IS PROHIBITED.

SERIES/FAMILY NUMBER: <b>RXL-5389</b>		CONFIGURATION (SEE TABLE DETAILS/"X" DENOTES COLOR): <b>X2432</b>		COMMENTS/FOLDER PATH: B:\RXL Inc\RXL Engineering - General\RXL\Section 5 - Cabinets and Enclosures\RXL-5389 Nemesis Bottom Side Skirts\	
DESCRIPTION: 24in. W x 32in. D Nemesis Bottom Side Skirts				UNLESS OTHERWISE SPECIFIED: DIMENSIONS ARE IN INCHES TOLERANCES: ±0.03 FRACTIONAL: ±1/32 ANGULAR: ±1° TWO PLACE DECIMAL ±0.03 THREE PLACE DECIMAL ±0.030	
REVISION <b>D</b>	DATE <b>8/8/2022</b>	REVISION DESCRIPTION: 1/4-20 Changed to 3/8-16		MATERIAL:	FULL PART NUMBER: <b>RXL-5389-X2432</b>
				FINISH: <b>PAINT</b>	DRAWN BY: Jackson Chong
				WEIGHT:	DRAWN DATE: 6/7/2021
				SURFACE AREA:	DO NOT SCALE DRAWING Scale: 1:4
					DRAWING SIZE: <b>B</b> SHEET 1 OF 1