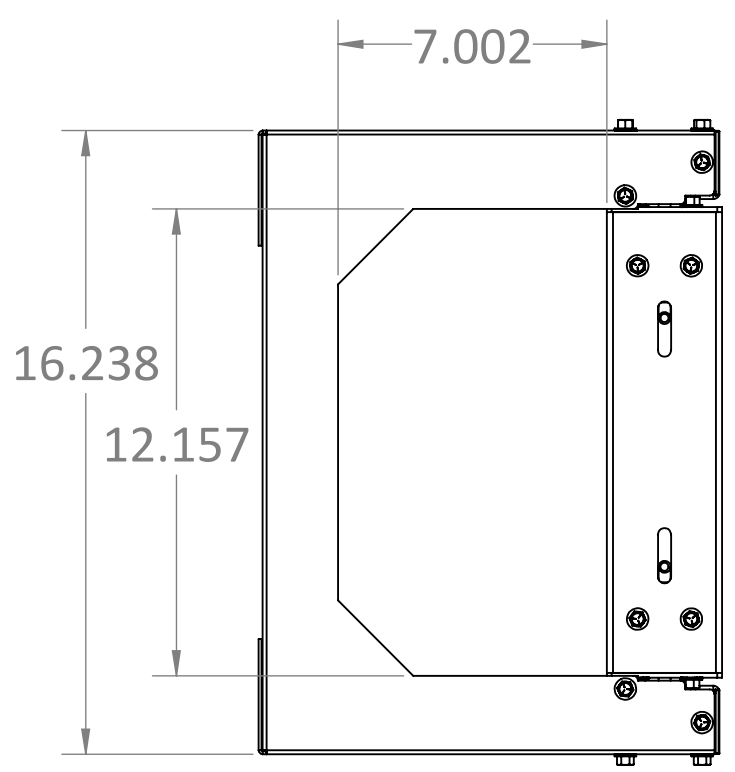
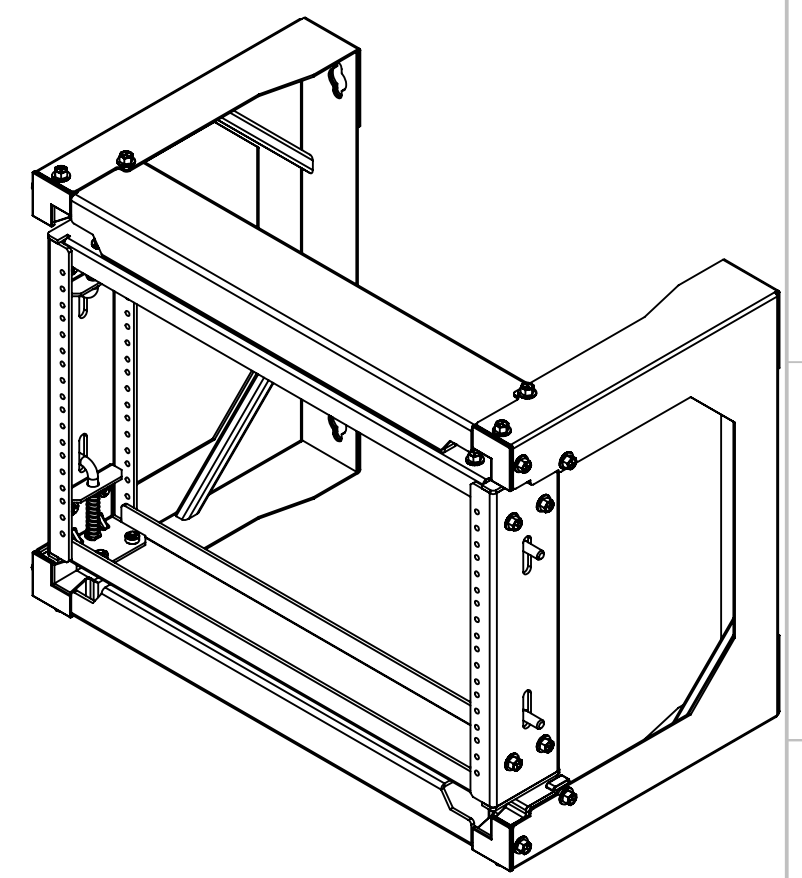
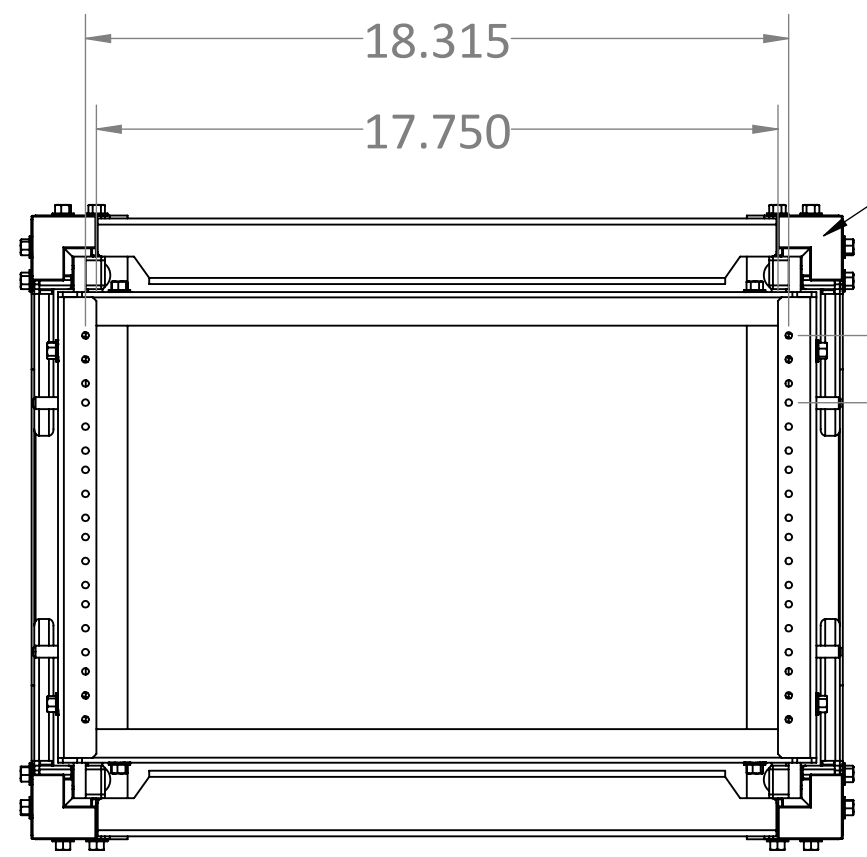
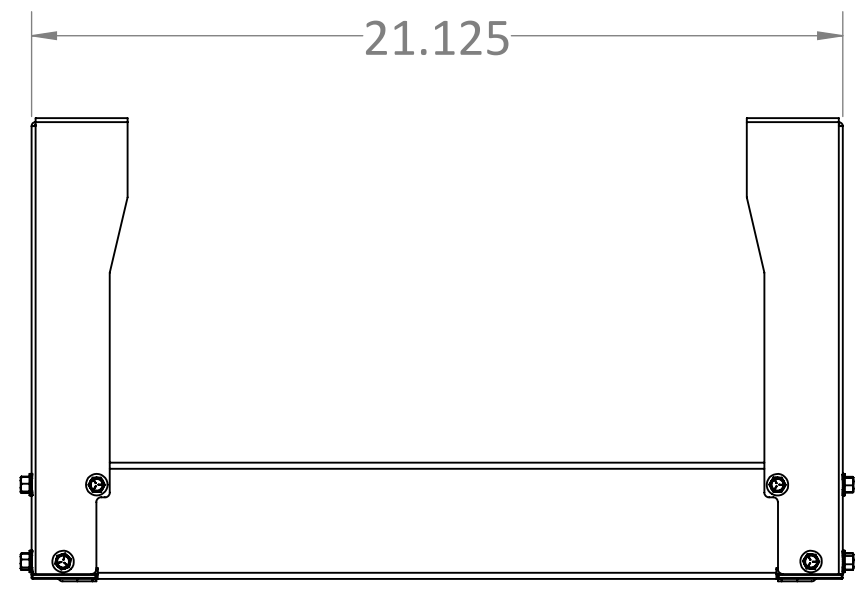


| ITEM # | PART NUMBER | CONFIGURATION | REV | DESCRIPTION | MATERIAL | QTY |
|--------|-------------|---------------|-----|---------------------|----------|-----|
| 1 | AS-4750-06 | X0612 | B | Swing Rack Assembly | | 1 |



RXL
 PROPRIETARY AND CONFIDENTIAL:
 THE INFORMATION CONTAINED IN THIS
 DRAWING IS THE SOLE PROPERTY OF RXL.
 ANY REPRODUCTION IN PART OR AS A
 WHOLE WITHOUT THE WRITTEN
 PERMISSION OF RXL IS PROHIBITED.

SERIES/FAMILY NUMBER:
RXL-4750

DESCRIPTION:
RXL-4750 Swing Rack

REVISION **B** DATE **12/16/2022** REVISION DESCRIPTION:
Updating Files

CONFIGURATION (SEE TABLE DETAILS/"X" DENOTES COLOR):
X0612

COMMENTS/FOLDER PATH:
 D:\RXL Inc\RXL - Engineering - Documents\Section 4 - Wall Mounts\RXL-4750 Swing Rack\

UNLESS OTHERWISE SPECIFIED:
 DIMENSIONS ARE IN INCHES
 TOLERANCES: ±0.03
 FRACTIONAL: ±1/32
 ANGULAR: ±1°
 TWO PLACE DECIMAL ±0.03
 THREE PLACE DECIMAL ±0.030

MATERIAL:
 FINISH:
PAINT

WEIGHT: SURFACE AREA:

FULL PART NUMBER:
RXL-4750-X0612

DRAWN BY: Jackson Chong
 DRAWN DATE: 11/27/2019

DO NOT SCALE DRAWING
 Scale: 1:4

DRAWING SIZE: **B**
 SHEET 1 OF 1

| 8 | 7 | 6 | 5 | 4 | 3 | 2 | 1 |
|---|---|---|---|---|---|---|---|
|---|---|---|---|---|---|---|---|