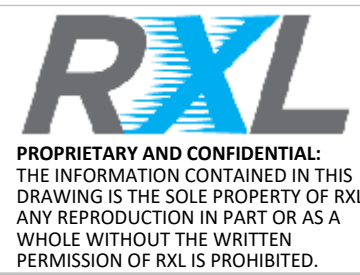
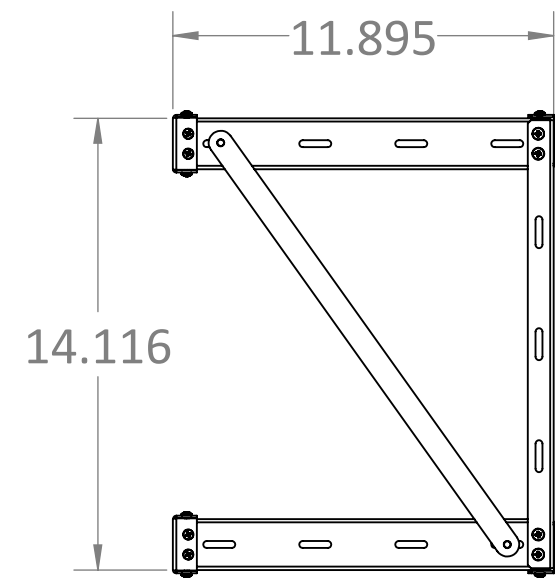
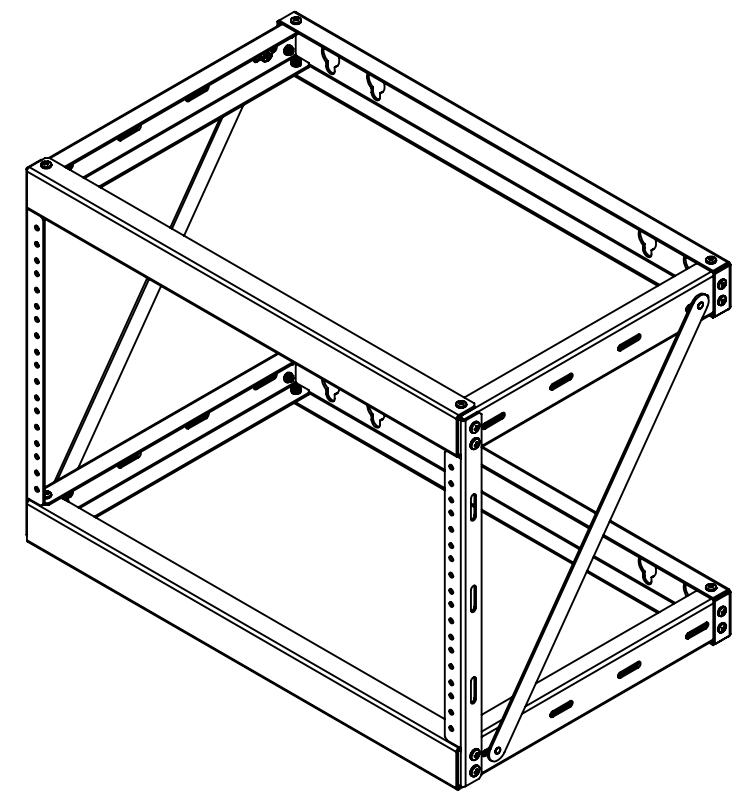
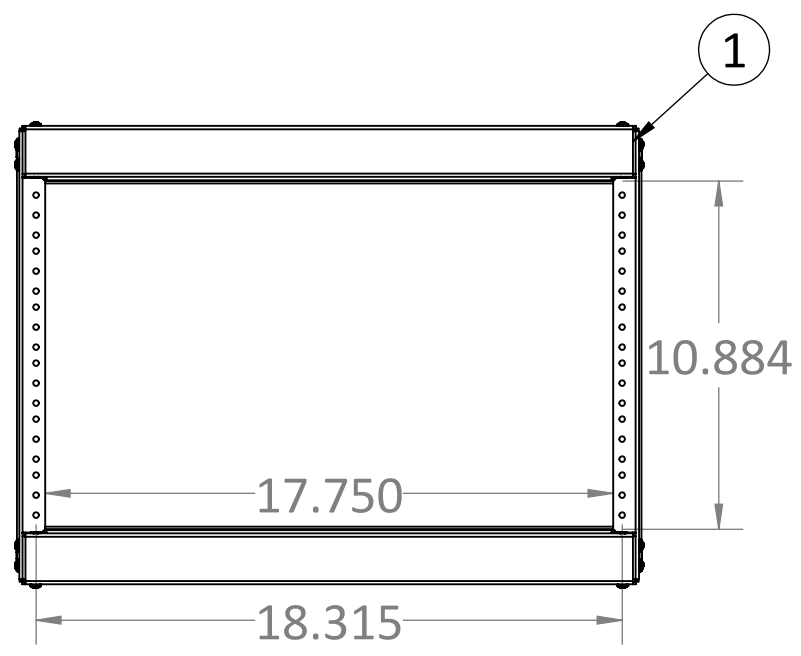
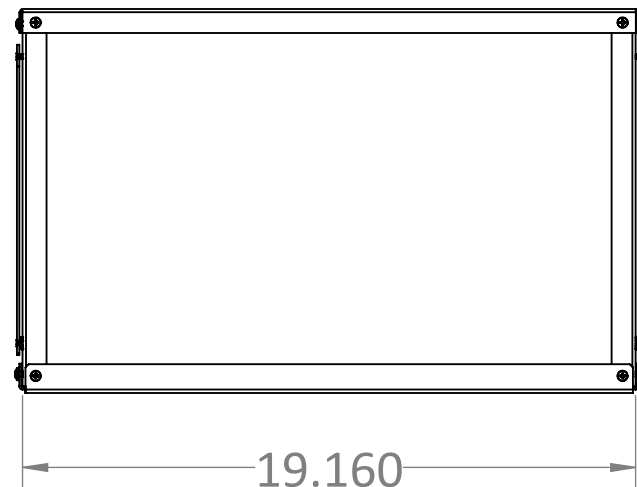


ITEM #	PART NUMBER	CONFIGURATION	REV	DESCRIPTION	MATERIAL	QTY
1	AS-4601-05	X0612	A	06in. H x 12in. D Polyframe Wall Rack Hardware Assembly		1



SERIES/FAMILY NUMBER: RXL-4601		
DESCRIPTION: 06in. H x 12in. D PolyFrame Wall Rack		
REVISION A	DATE 6/23/2020	REVISION DESCRIPTION: Initial

CONFIGURATION (SEE TABLE DETAILS/"X" DENOTES COLOR): X0612
--

COMMENTS/FOLDER PATH: B:\RXL Inc\RXL Engineering - General\RXL\Section 4 - Wall Mounts\RXL-4601 PolyFrame Wall Rack\			
UNLESS OTHERWISE SPECIFIED: DIMENSIONS ARE IN INCHES TOLERANCES: ±0.03 FRACTIONAL: ±1/32 ANGULAR: ±1° TWO PLACE DECIMAL ±0.03 THREE PLACE DECIMAL ±0.030	MATERIAL:	FULL PART NUMBER: RXL-4601-X0612	
	FINISH: PAINT	DRAWN BY: Jackson Chong DRAWN DATE: 6/23/2020	
	WEIGHT:	SURFACE AREA:	DO NOT SCALE DRAWING Scale: 1:4
		DRAWING SIZE: B SHEET 1 OF 1	