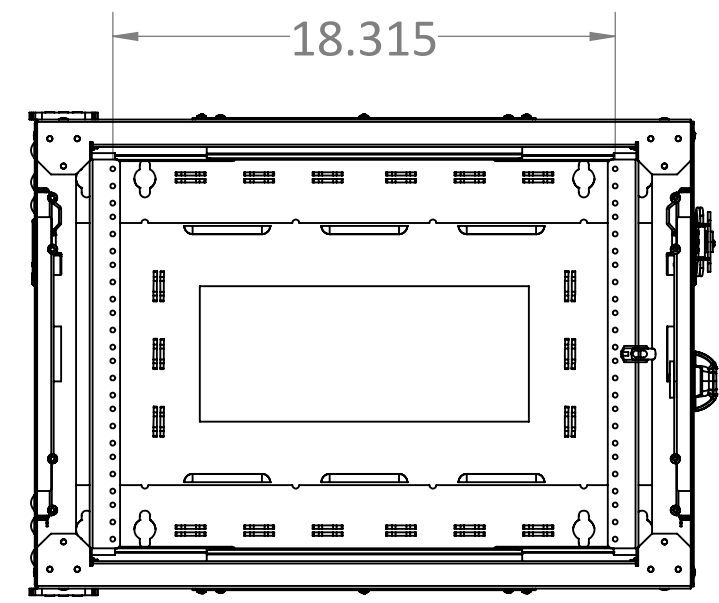


8 7 6 5 4 3 2 1

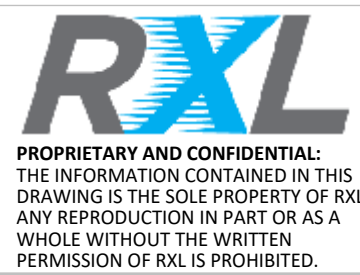
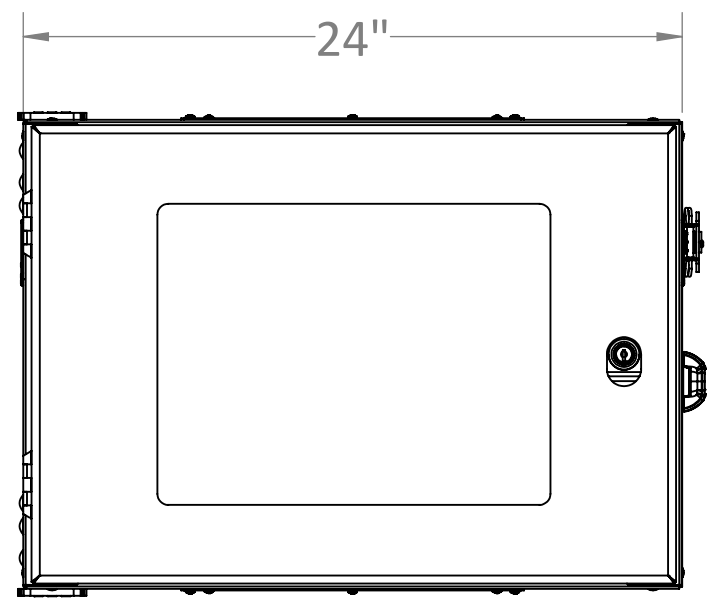
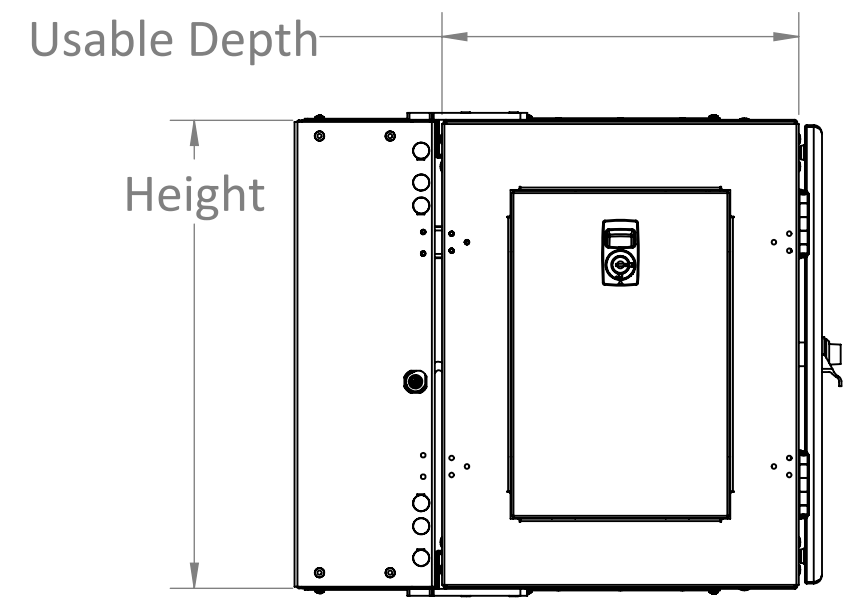
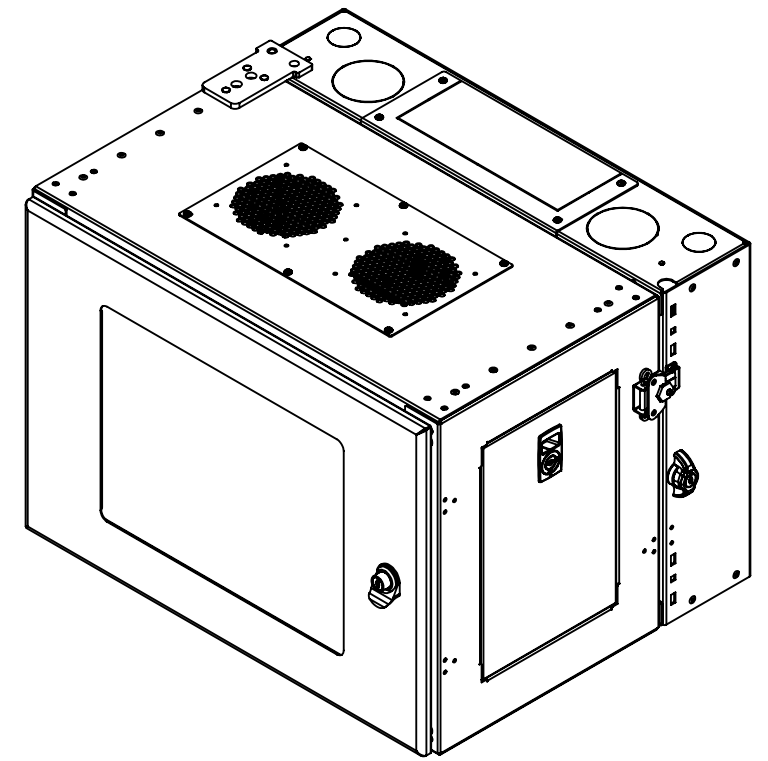
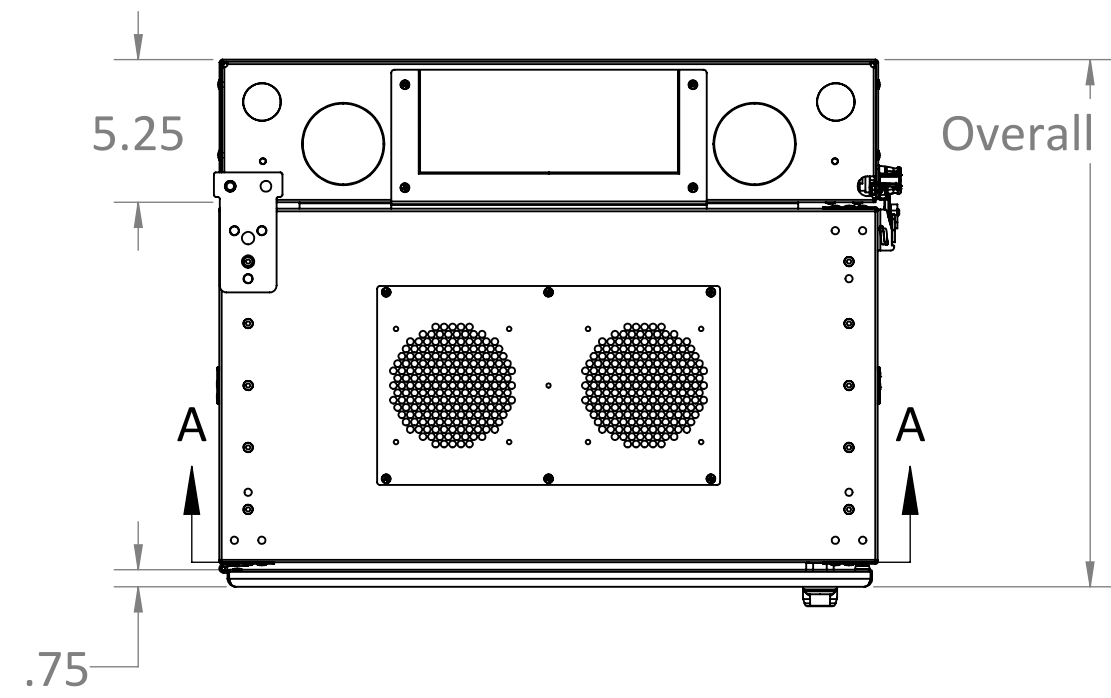
ITEM #	PART NUMBER	CONFIGURATION	DESCRIPTION	MATERIAL	QTY
1	AS-4505-04	X0813GT	Side Panel Cube Wall Mount, 08U x 13in. Usable Depth, Plexi-Glass Front Door, Tapped Rails		1

F  
E  
D  
C  
B  
A

F  
E  
D  
C  
B  
A



SECTION A-A  
SCALE 1 : 7



SERIES/FAMILY NUMBER: <b>RXL-4505</b>		CONFIGURATION (SEE TABLE DETAILS/"X" DENOTES COLOR): <b>X0813GT</b>	
DESCRIPTION: Side Panel Cube Wall Mount, 08U x 13in. Usable Depth, Plexi-Glass Front Door, Tapped Rails			
REVISION <b>D</b>	DATE <b>9/26/2022</b>	REVISION DESCRIPTION: Added Drop-in-Fan Mounting Locations	

COMMENTS/FOLDER PATH: B:\RXL Inc\RXL Engineering - General\RXL\Section 4 - Wall Mounts\RXL-4505 Side Panel Cube Wall Mount\			
UNLESS OTHERWISE SPECIFIED: DIMENSIONS ARE IN INCHES TOLERANCES: ±0.03 FRACTIONAL: ±1/32 ANGULAR: ±1° TWO PLACE DECIMAL ±0.03 THREE PLACE DECIMAL ±0.030		MATERIAL:	FULL PART NUMBER: RXL-4505-X0813GT
FINISH: <b>PAINT</b>		WEIGHT:	DRAWN BY: Jackson Chong
SURFACE AREA:		DO NOT SCALE DRAWING Scale: 1:4	DRAWN DATE: 3/23/2020
			DRAWING SIZE: <b>B</b> SHEET 1 OF 1

8 7 6 5 4 3 2 1