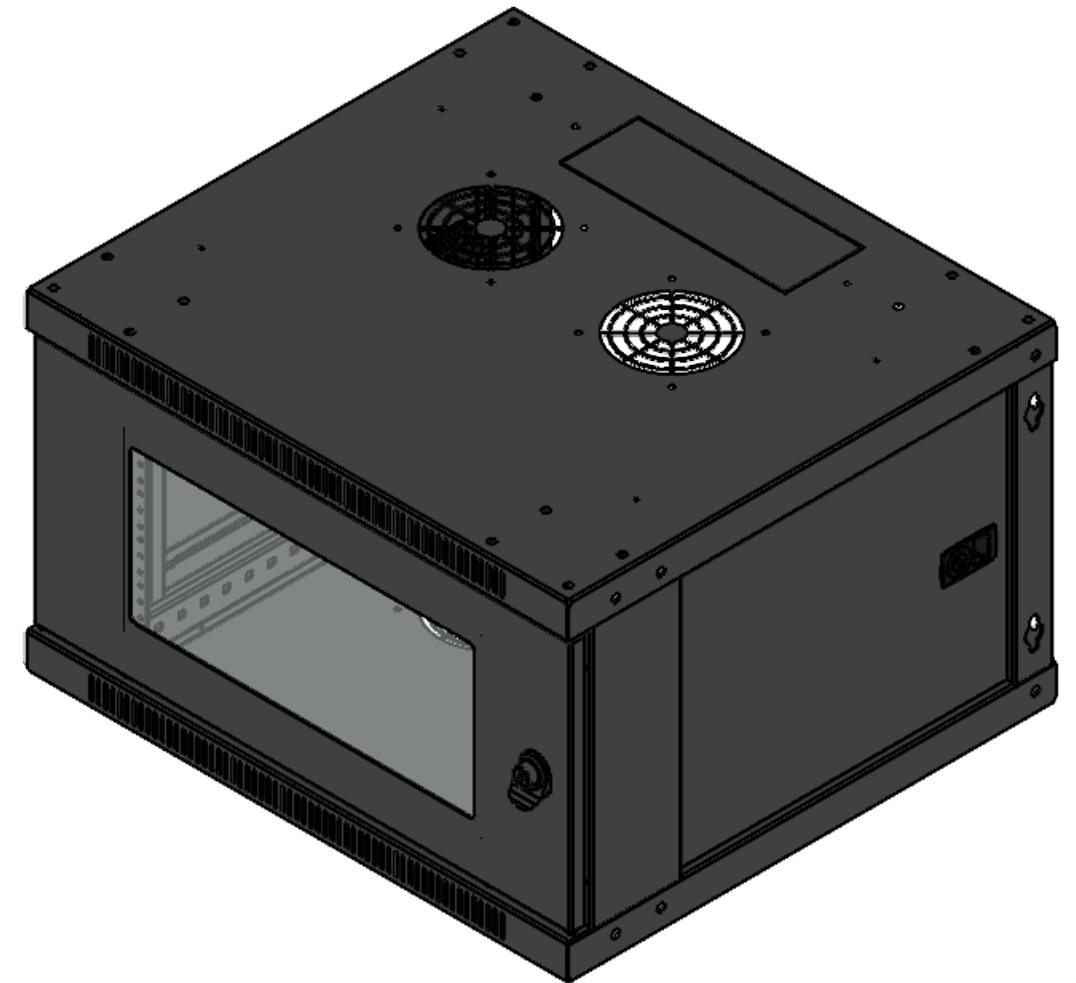
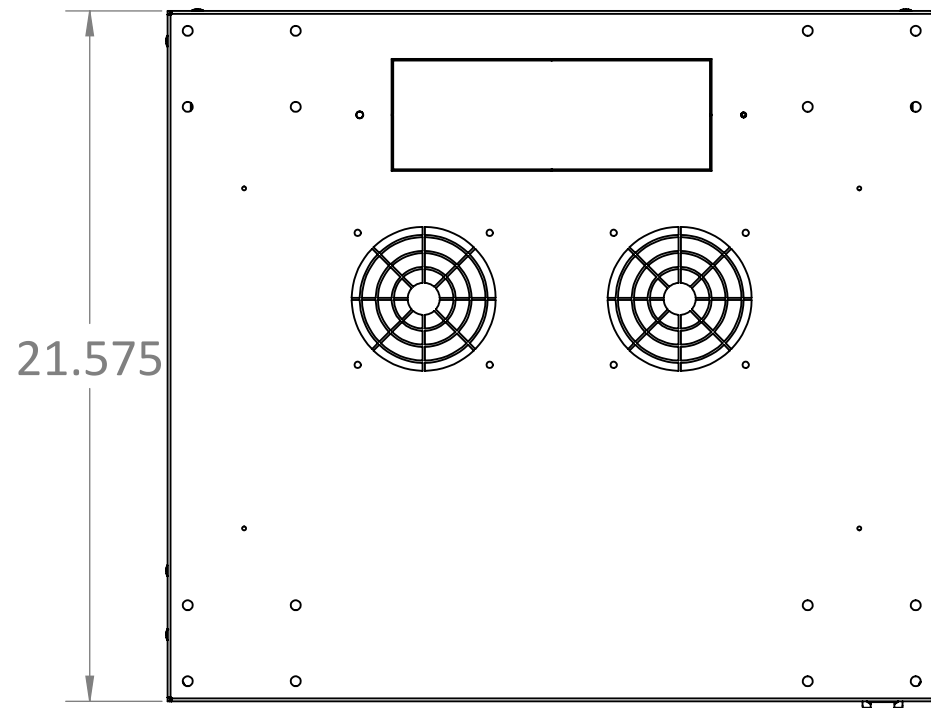
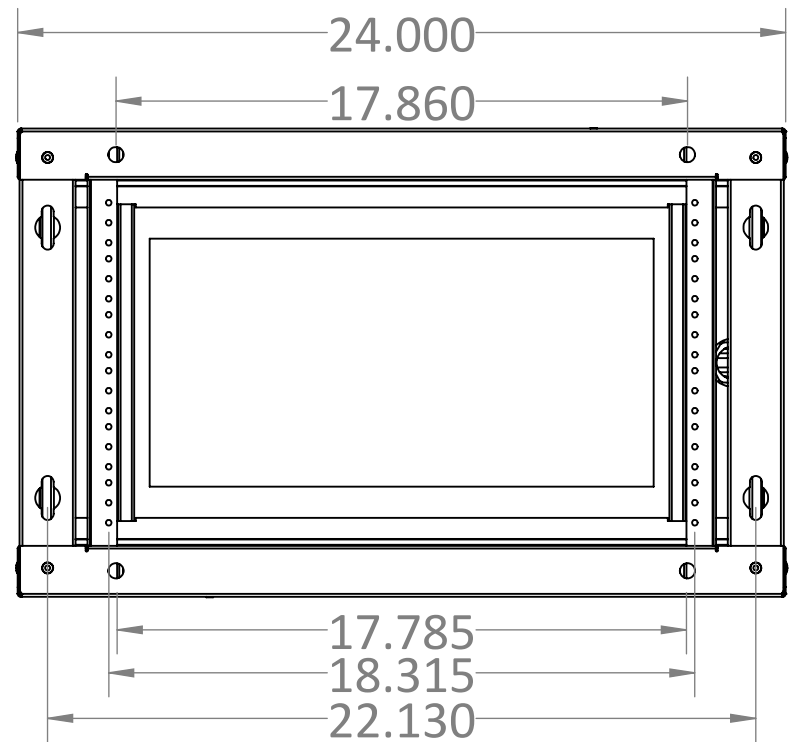
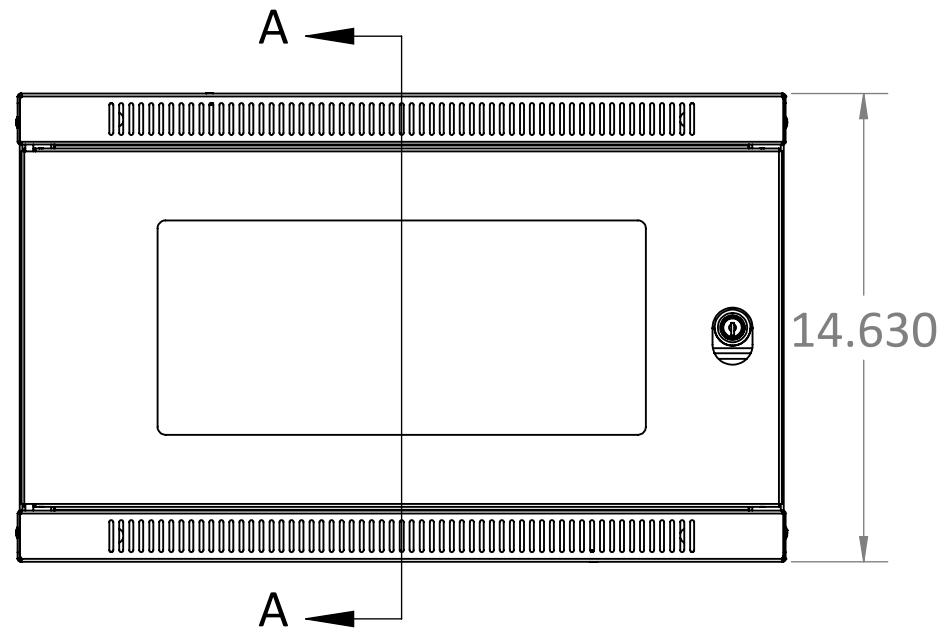
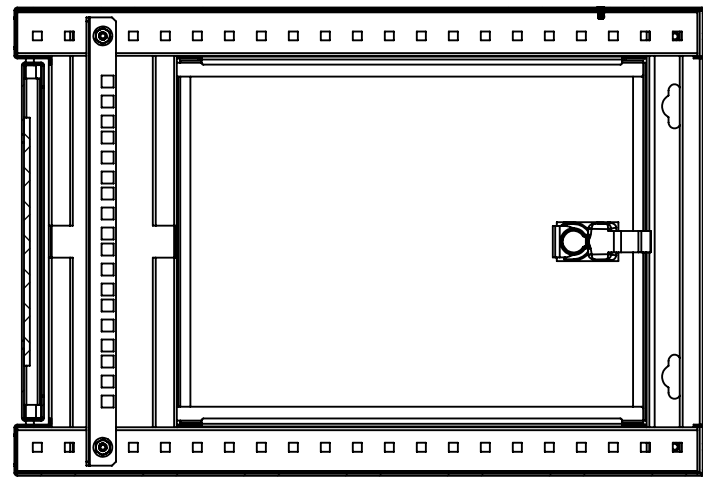


| ITEM # | PART NUMBER | CONFIGURATION | REV | DESCRIPTION   | MATERIAL | QTY |
|--------|-------------|---------------|-----|---|----------|-----|
| 1      | AS-4340-05  | X0618G        | E   | 06U x 18 Usable Depth Stacking Cube Wall Mount Plexi-Glass Front Door |          | 1   |



SECTION A-A  
SCALE 1 : 6



**RXL**  
 PROPRIETARY AND CONFIDENTIAL:  
 THE INFORMATION CONTAINED IN THIS  
 DRAWING IS THE SOLE PROPERTY OF RXL.  
 ANY REPRODUCTION IN PART OR AS A  
 WHOLE WITHOUT THE WRITTEN  
 PERMISSION OF RXL IS PROHIBITED.

SERIES/FAMILY NUMBER:  
**RXL-4340**

DESCRIPTION:  
 06in. H x 18in. Usable Depth Plexi-Glass Door Stacking Wall Mount

REVISION  
**E**      DATE  
 12/21/2022

REVISION DESCRIPTION:  
 Split components into new numbers, New Sizes, Side Panel set to solid

CONFIGURATION (SEE TABLE DETAILS/"X" DENOTES COLOR):  
**X0618G**

COMMENTS/FOLDER PATH:  
 D:\RXL Inc\RXL - Engineering - Documents\Section 4 - Wall Mounts\RXL-4340 Stacking Wall Mount\

UNLESS OTHERWISE SPECIFIED:  
 DIMENSIONS ARE IN INCHES  
 TOLERANCES: ±0.03  
 FRACTIONAL: ±1/32  
 ANGULAR: ±1°  
 TWO PLACE DECIMAL ±0.03  
 THREE PLACE DECIMAL ±0.030

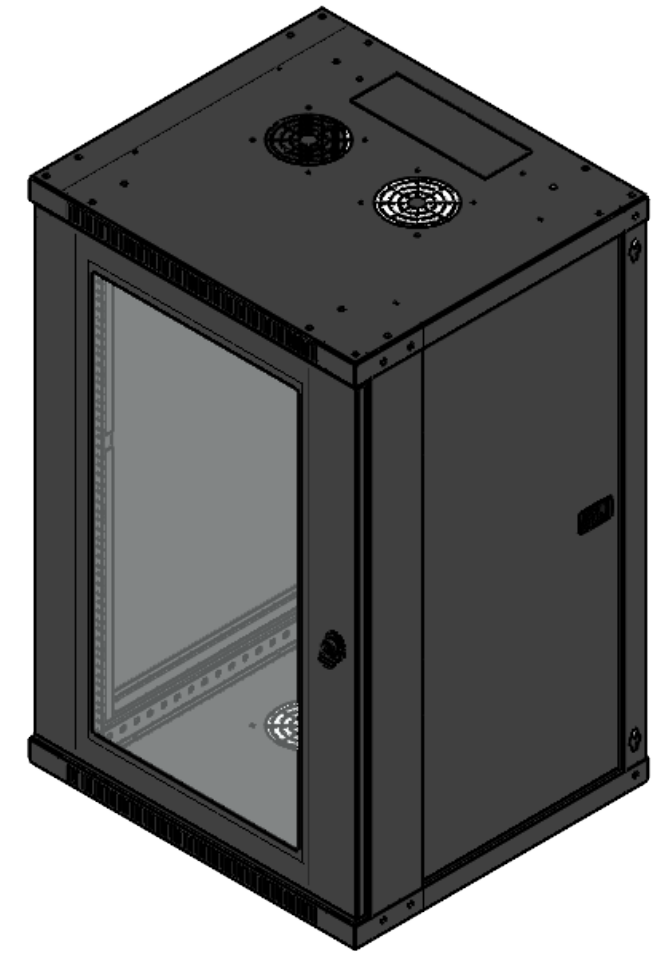
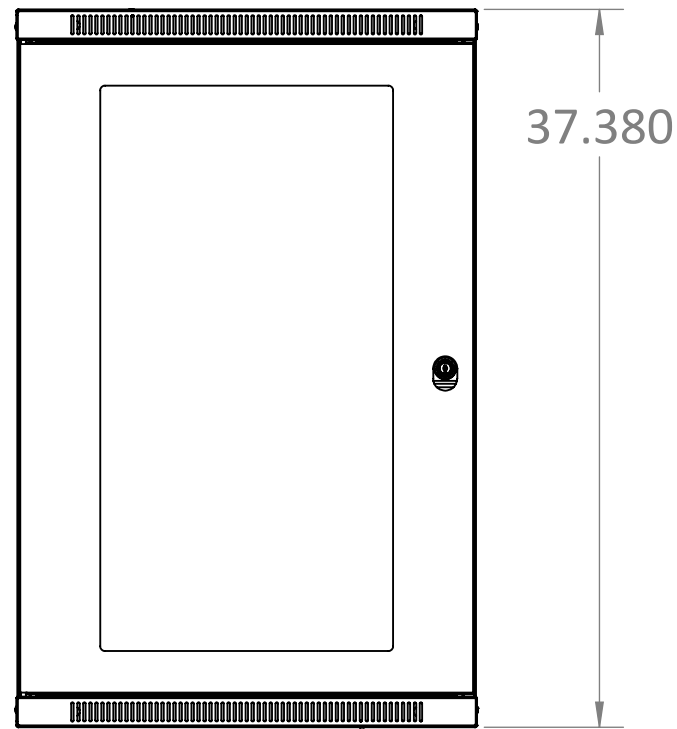
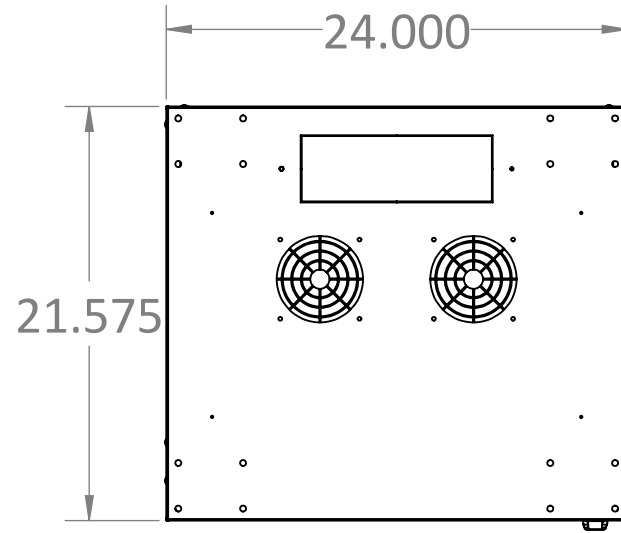
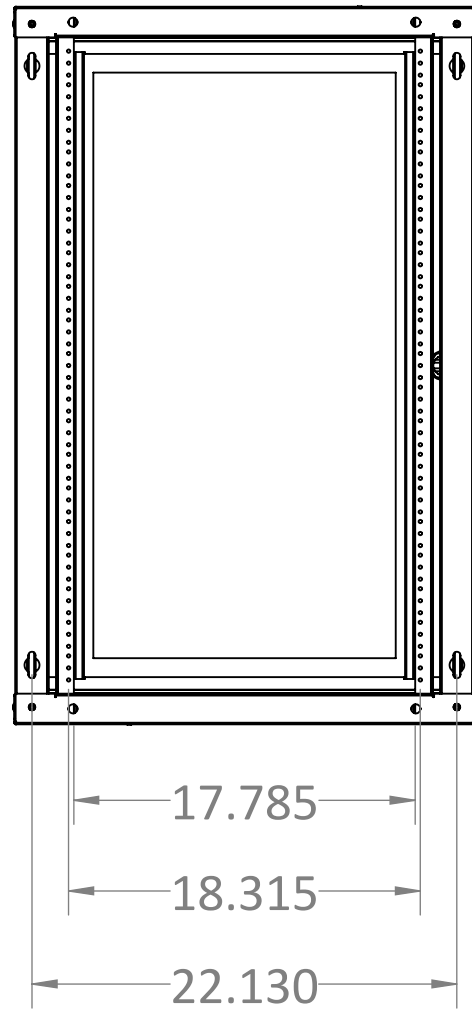
MATERIAL:  
 FINISH:  
**PAINT**  
 WEIGHT:

SURFACE AREA:

FULL PART NUMBER:  
 RXL-4340-X0618G  
 DRAWN BY: Jackson Chong  
 DRAWN DATE: 7/29/2020

DO NOT SCALE DRAWING  
 Scale: 1:4      DRAWING SIZE: **B**  
 SHEET 1 OF 3

| ITEM # | PART NUMBER | CONFIGURATION | REV | DESCRIPTION   | MATERIAL | QTY |
|--------|-------------|---------------|-----|---|----------|-----|
| 1      | AS-4340-05  | X1918G        | E   | 19U x 18 Usable Depth Stacking Cube Wall Mount Plexi-Glass Front Door |          | 1   |



**RXL**  
 PROPRIETARY AND CONFIDENTIAL:  
 THE INFORMATION CONTAINED IN THIS  
 DRAWING IS THE SOLE PROPERTY OF RXL.  
 ANY REPRODUCTION IN PART OR AS A  
 WHOLE WITHOUT THE WRITTEN  
 PERMISSION OF RXL IS PROHIBITED.

SERIES/FAMILY NUMBER:  
**RXL-4340**

DESCRIPTION:  
 19in. H x 18in. Usable Depth Plexi-Glass Door Stacking Wall Mount

REVISION  
**E**      DATE  
 12/21/2022

REVISION DESCRIPTION:  
 Split components into new numbers, New Sizes, Side Panel set to solid

CONFIGURATION (SEE TABLE DETAILS/"X" DENOTES COLOR):  
**X1918G**

COMMENTS/FOLDER PATH:  
 D:\RXL Inc\RXL - Engineering - Documents\Section 4 - Wall Mounts\RXL-4340 Stacking Wall Mount\

UNLESS OTHERWISE SPECIFIED:  
 DIMENSIONS ARE IN INCHES  
 TOLERANCES: ±0.03  
 FRACTIONAL: ±1/32  
 ANGULAR: ±1°  
 TWO PLACE DECIMAL ±0.03  
 THREE PLACE DECIMAL ±0.030

MATERIAL:

FINISH:  
**PAINT**

WEIGHT:

SURFACE AREA:

FULL PART NUMBER:

RXL-4340-X1918G

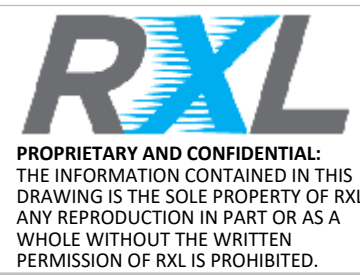
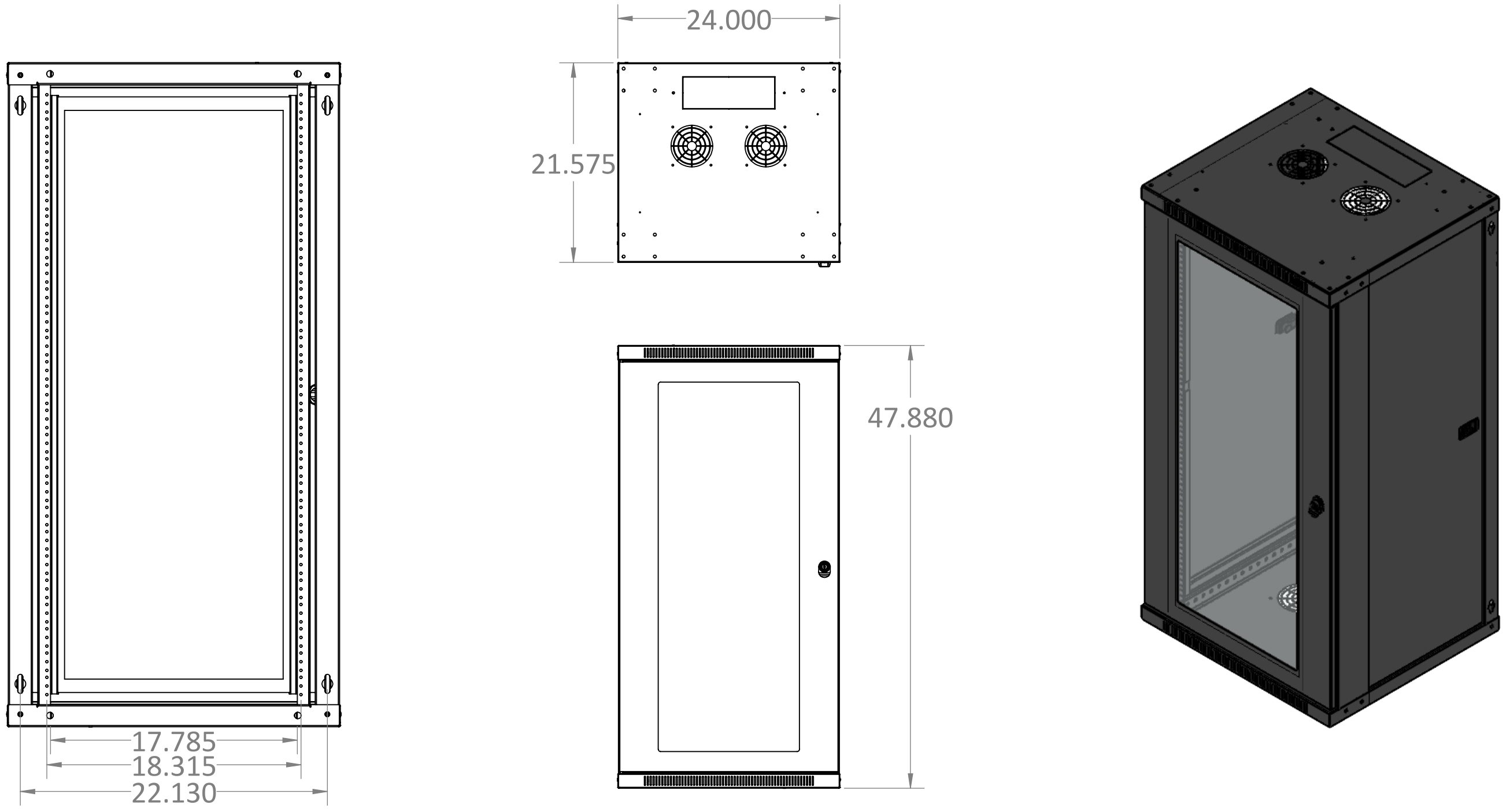
DRAWN BY: Jackson Chong

DRAWN DATE: 7/29/2020

DO NOT SCALE DRAWING  
 Scale: 1:4      DRAWING SIZE: B  
 SHEET 2 OF 3

| 8 | 7 | 6 | 5 | 4 | 3 | 2 | 1 |
|---|---|---|---|---|---|---|---|
|---|---|---|---|---|---|---|---|

| ITEM # | PART NUMBER | CONFIGURATION | REV | DESCRIPTION   | MATERIAL | QTY |
|--------|-------------|---------------|-----|---|----------|-----|
| 1      | AS-4340-05  | X2518G        | E   | 25U x 18 Usable Depth Stacking Cube Wall Mount Plexi-Glass Front Door |          | 1   |



|   |                           |  |  |  |   |
|---|---------------------------|--|--|--|---|
| SERIES/FAMILY NUMBER:<br><b>RXL-4340</b>  |                           | CONFIGURATION (SEE TABLE DETAILS/"X" DENOTES COLOR):<br><b>X2518G</b>                          |  | COMMENTS/FOLDER PATH:<br>D:\RXL Inc\RXL - Engineering - Documents\Section 4 - Wall Mounts\RXL-4340 Stacking Wall Mount\  |   |
| DESCRIPTION:<br>25in. H x 18in. Usable Depth Plexi-Glass Door Stacking Wall Mount |                           |  |  | UNLESS OTHERWISE SPECIFIED:<br>DIMENSIONS ARE IN INCHES<br>TOLERANCES: ±0.03<br>FRACTIONAL: ±1/32<br>ANGULAR: ±1°<br>TWO PLACE DECIMAL ±0.03<br>THREE PLACE DECIMAL ±0.030 |   |
| REVISION<br><b>E</b>  | DATE<br><b>12/21/2022</b> | REVISION DESCRIPTION:<br>Split components into new numbers, New Sizes, Side Panel set to solid |  | MATERIAL:  | FULL PART NUMBER:<br><b>RXL-4340-X2518G</b> |
|   |                           |  |  | FINISH:<br><b>PAINT</b>  | DRAWN BY: Jackson Chong                     |
|   |                           |  |  | WEIGHT:  | DRAWN DATE: 7/29/2020                       |
|   |                           |  |  | SURFACE AREA:  | DO NOT SCALE DRAWING<br>Scale: 1:4          |
|   |                           |  |  |  | DRAWING SIZE: <b>B</b><br>SHEET 3 OF 3      |