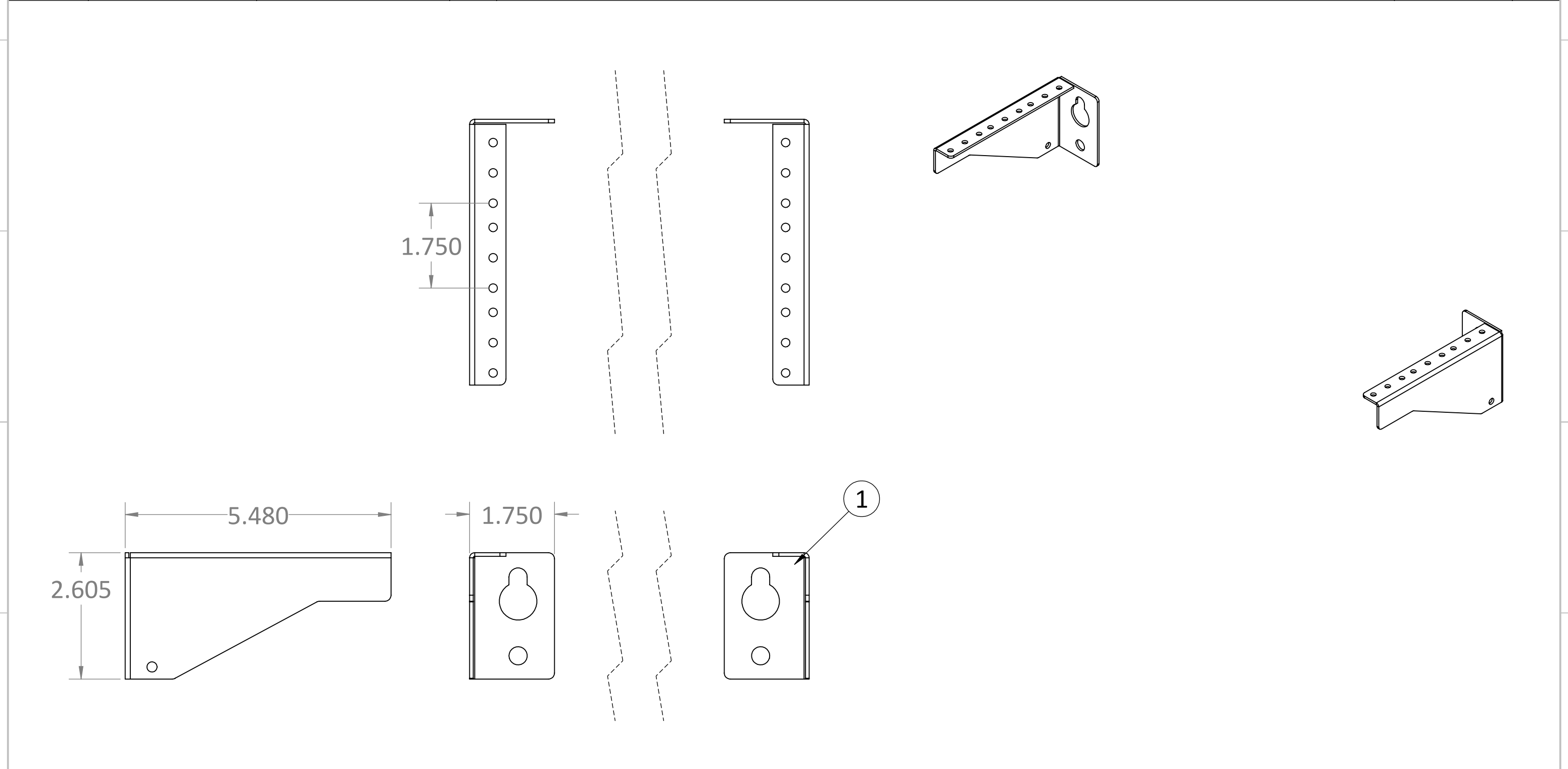



ITEM #	PART NUMBER	CONFIGURATION	REV	DESCRIPTION	MATERIAL	QTY
1	AS-4009-01	X03	A	Rack Wall Adapter Assembly		1



 <b>PROPRIETARY AND CONFIDENTIAL:</b> THE INFORMATION CONTAINED IN THIS DRAWING IS THE SOLE PROPERTY OF RXL. ANY REPRODUCTION IN PART OR AS A WHOLE WITHOUT THE WRITTEN PERMISSION OF RXL IS PROHIBITED.	SERIES/FAMILY NUMBER: <b>RXL-4009</b>		CONFIGURATION (SEE TABLE DETAILS/"X" DENOTES COLOR): <b>X03</b>		COMMENTS/FOLDER PATH: D:\RXL Inc\RXL - Engineering - Section 4 - Wall Mounts\RXL-4009 Wall Rack Bracket Adapters\	
	DESCRIPTION: <b>RXL-4009 Rack Wall Adapters</b>					
	REVISION <b>A</b>	DATE <b>1/20/2020</b>	REVISION DESCRIPTION: Initial			

MATERIAL: <b>PAINT</b>		WEIGHT: <b>0.69lbs.</b>		SURFACE AREA: <b>69.47in.<sup>2</sup></b>		FULL PART NUMBER: <b>RXL-4009-X03</b>
DO NOT SCALE DRAWING Scale: 1:4				DRAWN BY: Jackson Chong DRAWN DATE: 1/20/2020 DRAWING SIZE: <b>B</b> SHEET 1 OF 1		