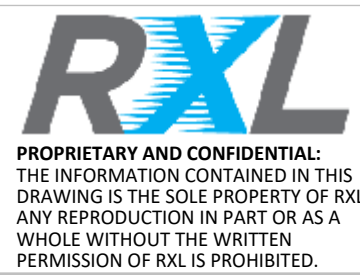
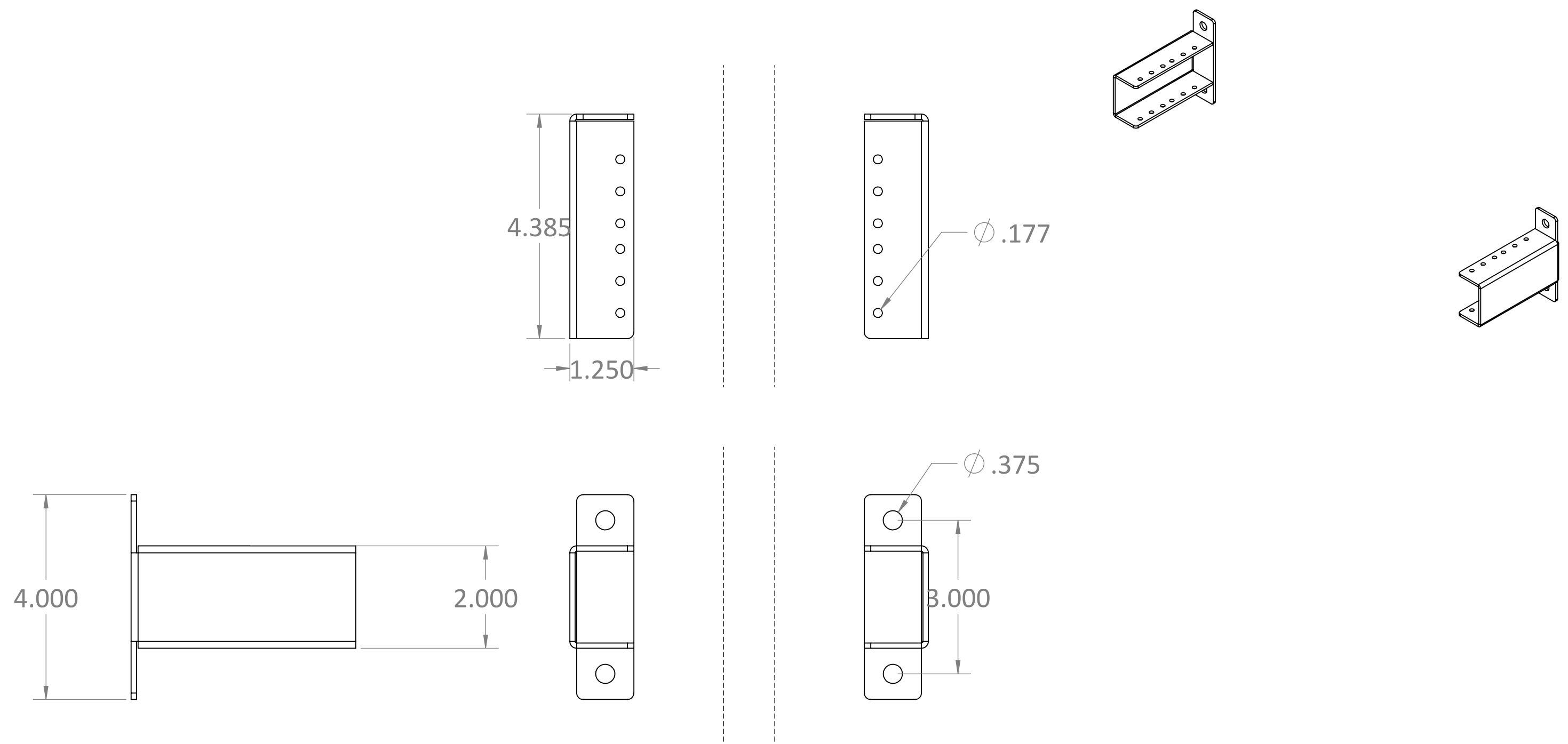


ITEM #	PART NUMBER	CONFIGURATION	REV	DESCRIPTION	MATERIAL	QTY
1	PT-4008-01	X02	A	2RU Channel Wall Adaptor	12GA STEEL(0.1046)	2

F
E
D
C
B
A

F
E
D
C
B
A



SERIES/FAMILY NUMBER: RXL-4008		CONFIGURATION (SEE TABLE DETAILS/"X" DENOTES COLOR): X02		COMMENTS/FOLDER PATH: D:\RXL Inc\RXL - Engineering - Section 4 - Wall Mounts\RXL-4008 Channel Wall Rack Bracket Adapters\	
DESCRIPTION: 02RU Channel Wall Rack Bracket Adaptors				UNLESS OTHERWISE SPECIFIED: DIMENSIONS ARE IN INCHES TOLERANCES: ±0.03 FRACTIONAL: ±1/32 ANGULAR: ±1° TWO PLACE DECIMAL ±0.03 THREE PLACE DECIMAL ±0.030	
REVISION A	DATE 8/12/2021	REVISION DESCRIPTION: Initial		MATERIAL: PAINT	FULL PART NUMBER: RXL-4008-X02
				WEIGHT: 1.3lbs.	SURFACE AREA: 95.17in. ²
				DRAWN BY: Jackson Chong DRAWN DATE: 8/12/2021 DO NOT SCALE DRAWING Scale: 1:4 DRAWING SIZE: B SHEET 1 OF 1	

8 7 6 5 4 3 2 1