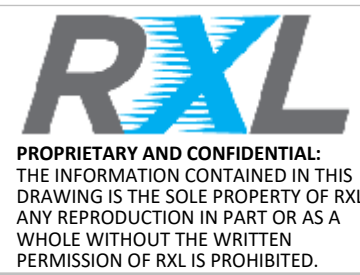
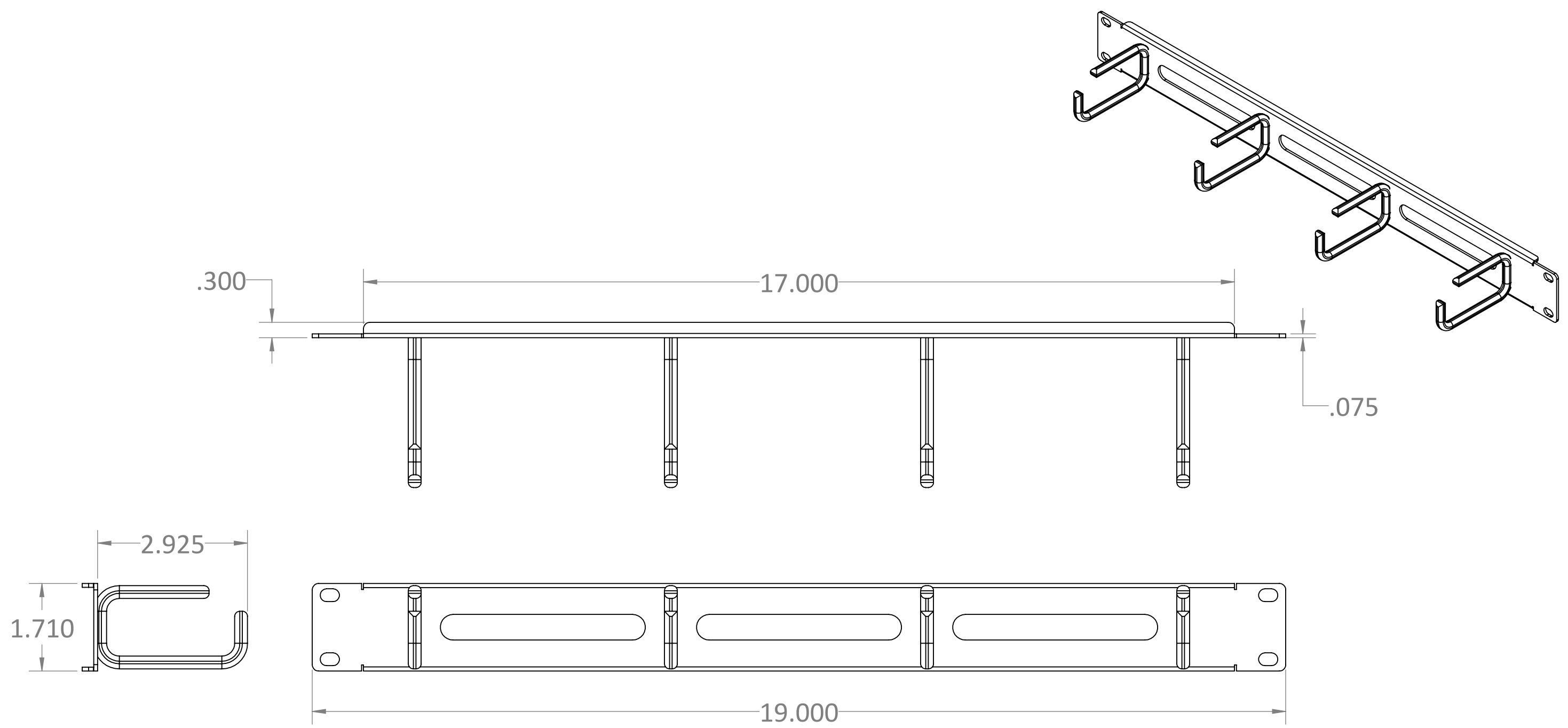
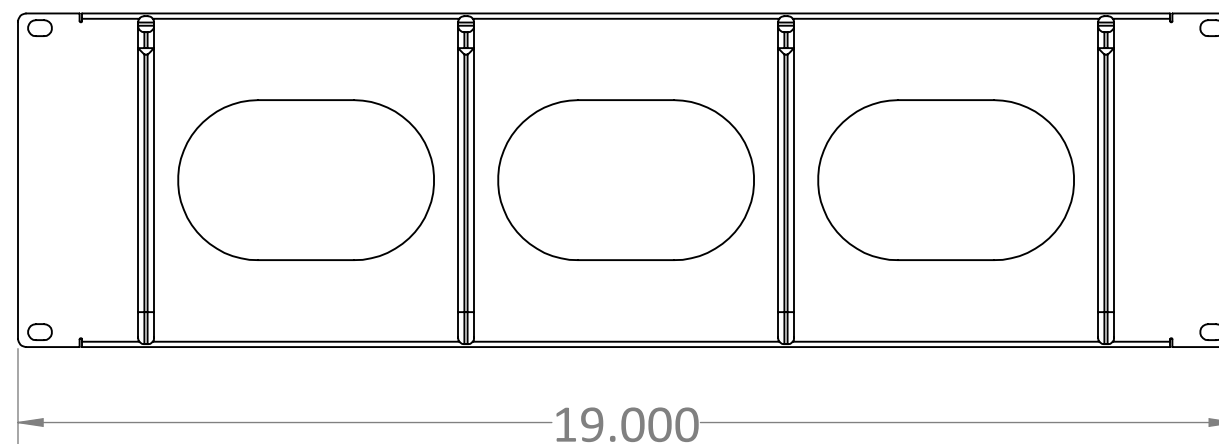
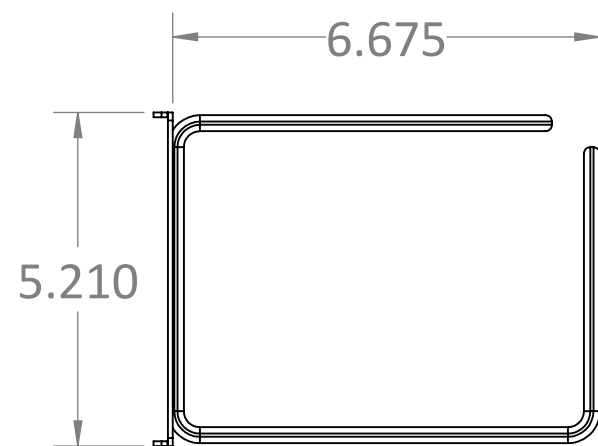
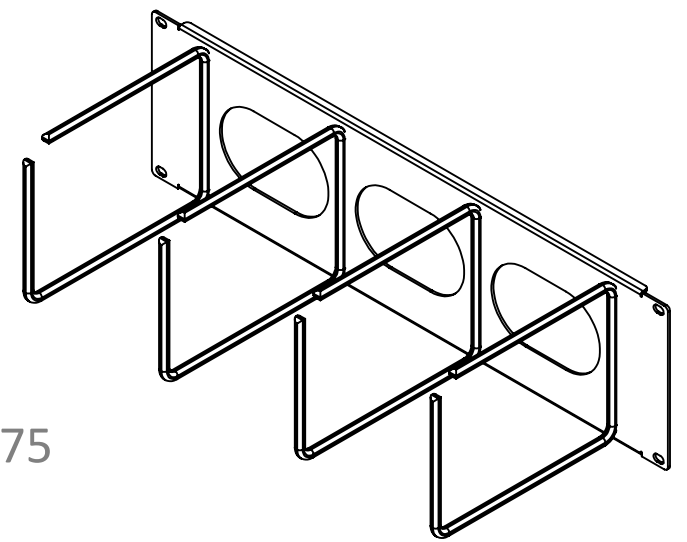
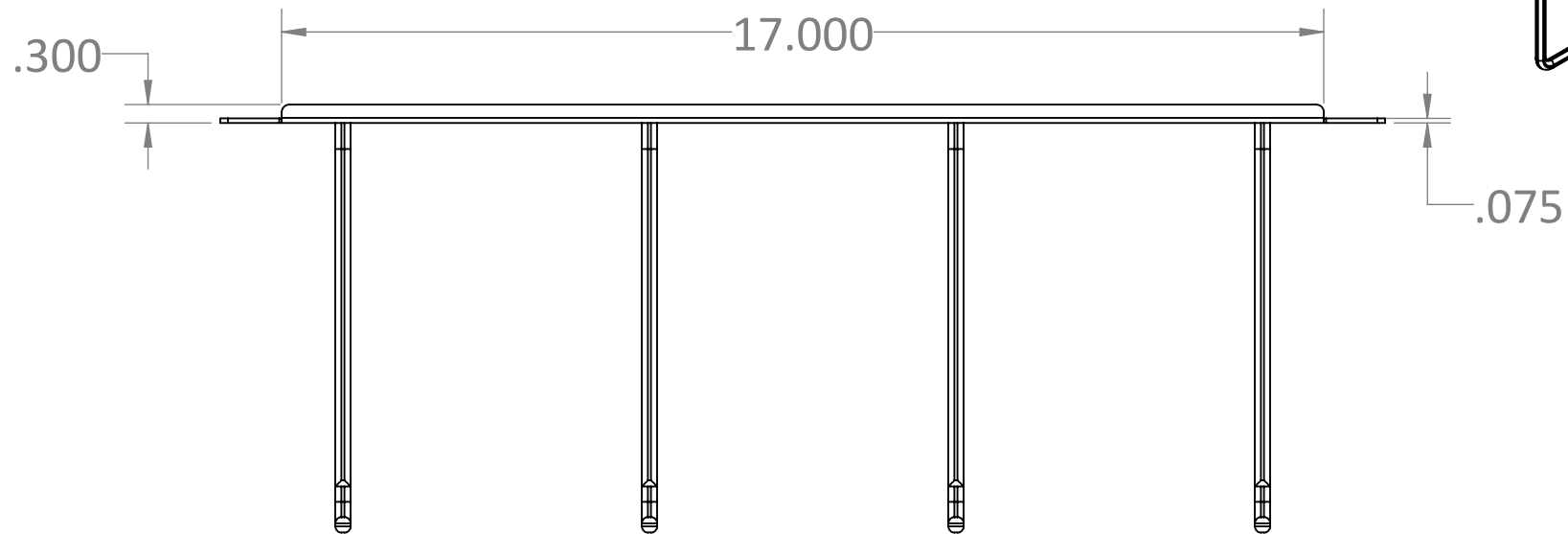


ITEM #	PART NUMBER	CONFIGURATION	REV	DESCRIPTION	MATERIAL	QTY
1	WD-3400-01	X1300	A	1U x 300in. D Horizontal Cable Manager Weldment		1



SERIES/FAMILY NUMBER: RXL-3400		CONFIGURATION (SEE TABLE DETAILS/"X" DENOTES COLOR): X1300		COMMENTS/FOLDER PATH: B:\RXL Inc\RXL Engineering - General\RXL\Section 3 - Cable Management\RXL-3400 Horizontal Wire Manager\			
DESCRIPTION: 1U x 300in. D Worizontal Cable Manager				UNLESS OTHERWISE SPECIFIED: DIMENSIONS ARE IN INCHES TOLERANCES: ±0.03 FRACTIONAL: ±1/32 ANGULAR: ±1° TWO PLACE DECIMAL ±0.03 THREE PLACE DECIMAL ±0.030		MATERIAL: FINISH: NONE WEIGHT: 1.09lbs.	FULL PART NUMBER: RXL-3400-X1300 DRAWN BY: Jackson Chong DRAWN DATE: 2/21/2020 SURFACE AREA: 93.74in. ² DO NOT SCALE DRAWING Scale: 1:4 DRAWING SIZE: B SHEET 1 OF 2
REVISION A	DATE 2/21/2020	REVISION DESCRIPTION: Initial					

ITEM #	PART NUMBER	CONFIGURATION	REV	DESCRIPTION	MATERIAL	QTY
1	WD-3400-01	X3675	A	3U x 675in. D Horizontal Cable Manager Weldment		1



PROPRIETARY AND CONFIDENTIAL:
THE INFORMATION CONTAINED IN THIS
DRAWING IS THE SOLE PROPERTY OF RXL.
ANY REPRODUCTION IN PART OR AS A
WHOLE WITHOUT THE WRITTEN
PERMISSION OF RXL IS PROHIBITED.

SERIES/FAMILY NUMBER:
RXL-3400

DESCRIPTION:
3U x 675in. D Worizontal Cable Manager

REVISION
A

DATE
2/21/2020

REVISION DESCRIPTION:
Initial

CONFIGURATION (SEE TABLE DETAILS/"X" DENOTES COLOR):
X3675

COMMENTS/FOLDER PATH:
B:\RXL Inc\RXL Engineering - General\RXL\Section 3 - Cable Management\RXL-3400 Horizontal Wire Manager\

UNLESS OTHERWISE SPECIFIED:
DIMENSIONS ARE IN INCHES
TOLERANCES: ±0.03
FRACTIONAL: ±1/32
ANGULAR: ±1°
TWO PLACE DECIMAL ±0.03
THREE PLACE DECIMAL ±0.030

MATERIAL:
FINISH:
NONE
WEIGHT:
2.89lbs.

SURFACE AREA:
232.37in.²

FULL PART NUMBER:
RXL-3400-X3675

DRAWN BY: Jackson Chong
DRAWN DATE: 2/21/2020

DO NOT SCALE DRAWING
Scale: 1:4
DRAWING SIZE: **B**
SHEET 2 OF 2