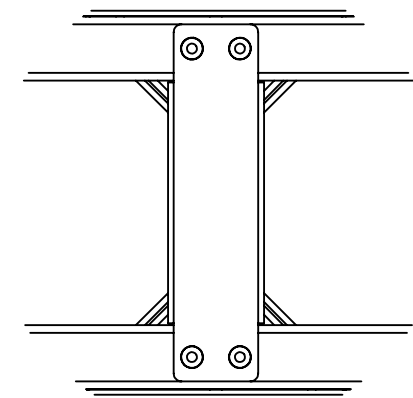
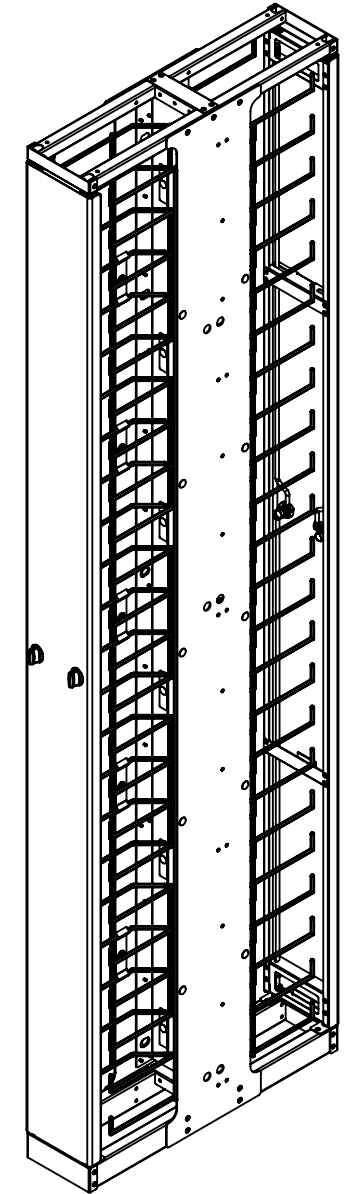
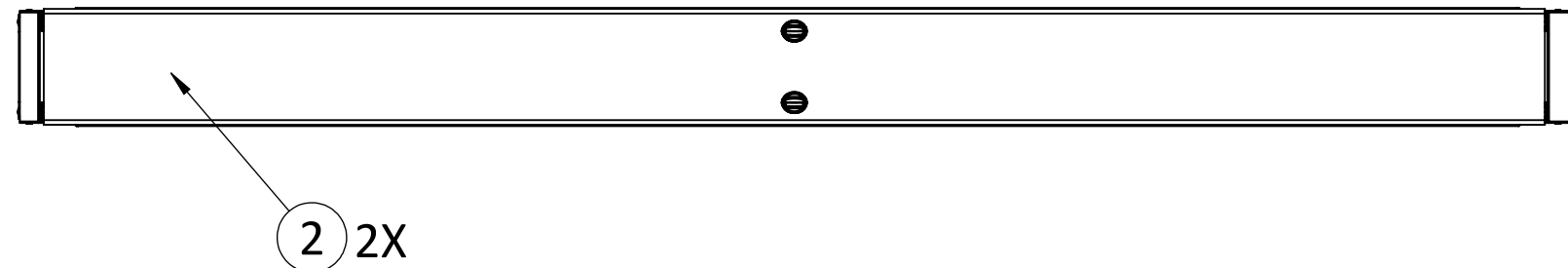
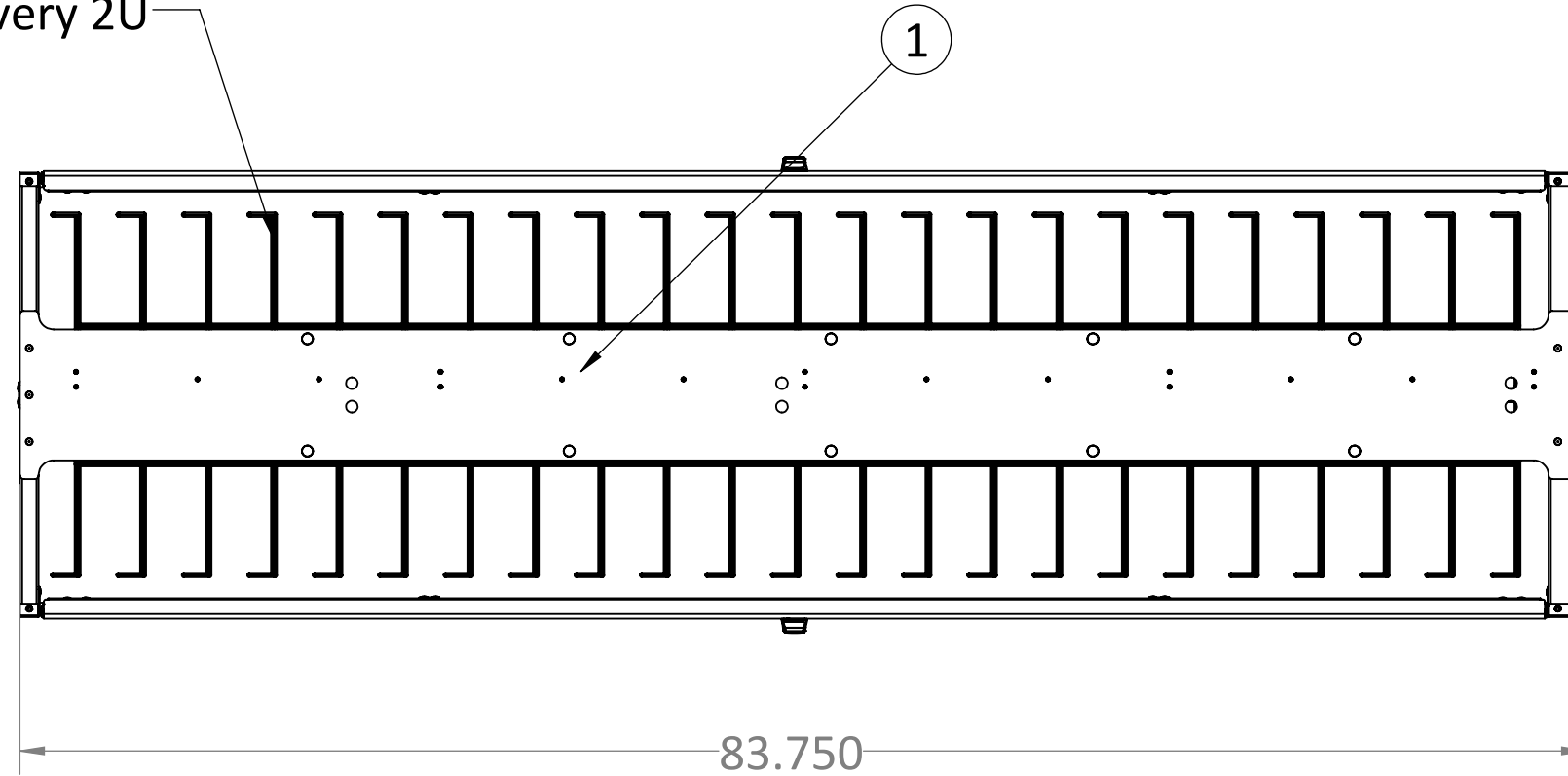
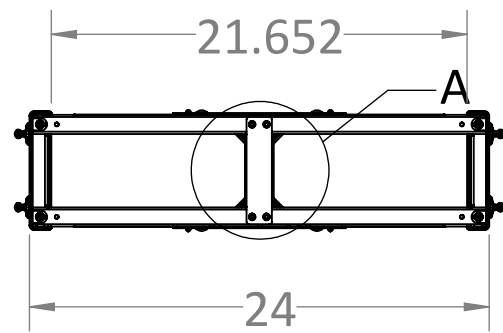


ITEM #	PART NUMBER	CONFIGURATION	REV	DESCRIPTION	MATERIAL	QTY
1	AS-3335-03	X7006	D	7ft. 0in. H X 06in. W BODY/FINGER ASSEMBLY		1
2	RXL-3649	X7006	D	7ft. 0in. H X 06in. W XVM PIN DOOR		2

Metal Wire Fingers every 2U



DETAIL A
SCALE 1 : 3



PROPRIETARY AND CONFIDENTIAL:
THE INFORMATION CONTAINED IN THIS
DRAWING IS THE SOLE PROPERTY OF RXL.
ANY REPRODUCTION IN PART OR AS A
WHOLE WITHOUT THE WRITTEN
PERMISSION OF RXL IS PROHIBITED.

SERIES/FAMILY NUMBER:
RXL-3335

DESCRIPTION:
7ft. 0in. H Double Sided Wire Cable Manager

REVISION
D

DATE
4/23/2020

REVISION DESCRIPTION:
File Restructure

CONFIGURATION (SEE TABLE DETAILS/"X" DENOTES COLOR):
X7006

COMMENTS/FOLDER PATH:
N:\RXL Engineering\Section 3 - Cable Management\RXL-3335 Double Sided Wire Vertical Cable Manager\

UNLESS OTHERWISE SPECIFIED:
DIMENSIONS ARE IN INCHES
TOLERANCES: ±0.03
FRACTIONAL: ±1/32
ANGULAR: ±1°
TWO PLACE DECIMAL ±0.03
THREE PLACE DECIMAL ±0.030

MATERIAL:
FINISH:
PAINT
WEIGHT:
80.03lbs.

SURFACE AREA:
10329.69in.²

FULL PART NUMBER:
RXL-3335-X7006

DRAWN BY: Jackson Chong
DRAWN DATE: 11/13/2018

DO NOT SCALE DRAWING
Scale: 1:4
DRAWING SIZE: B
SHEET 1 OF 1