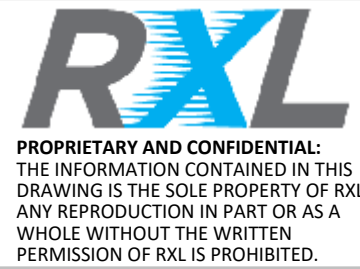
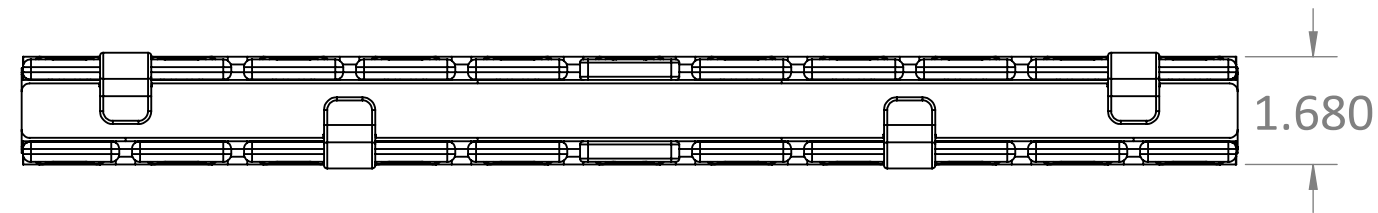
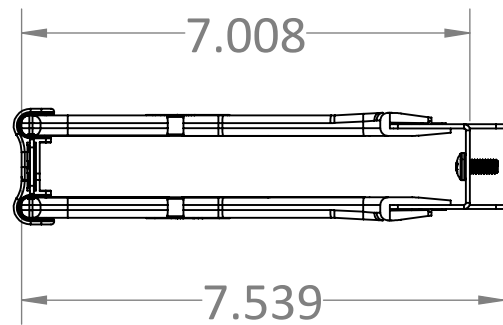
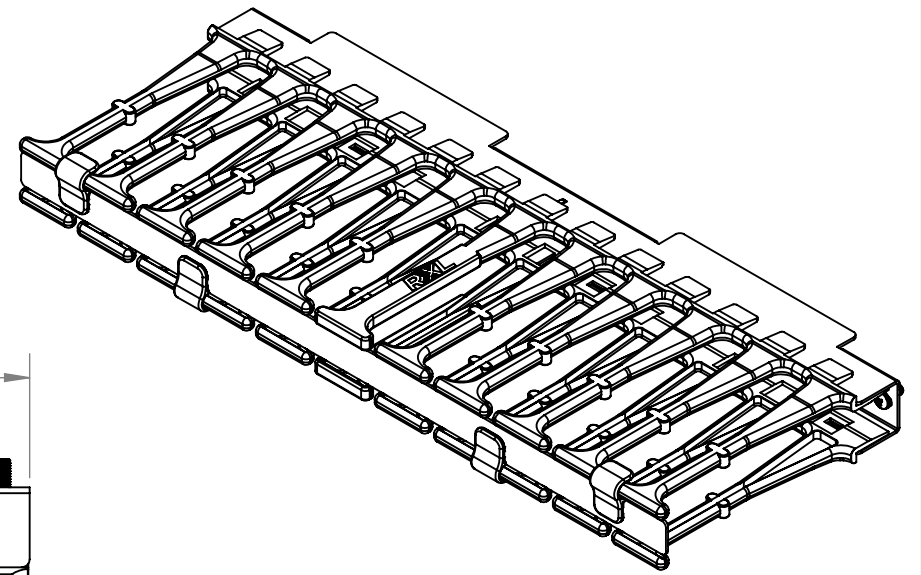
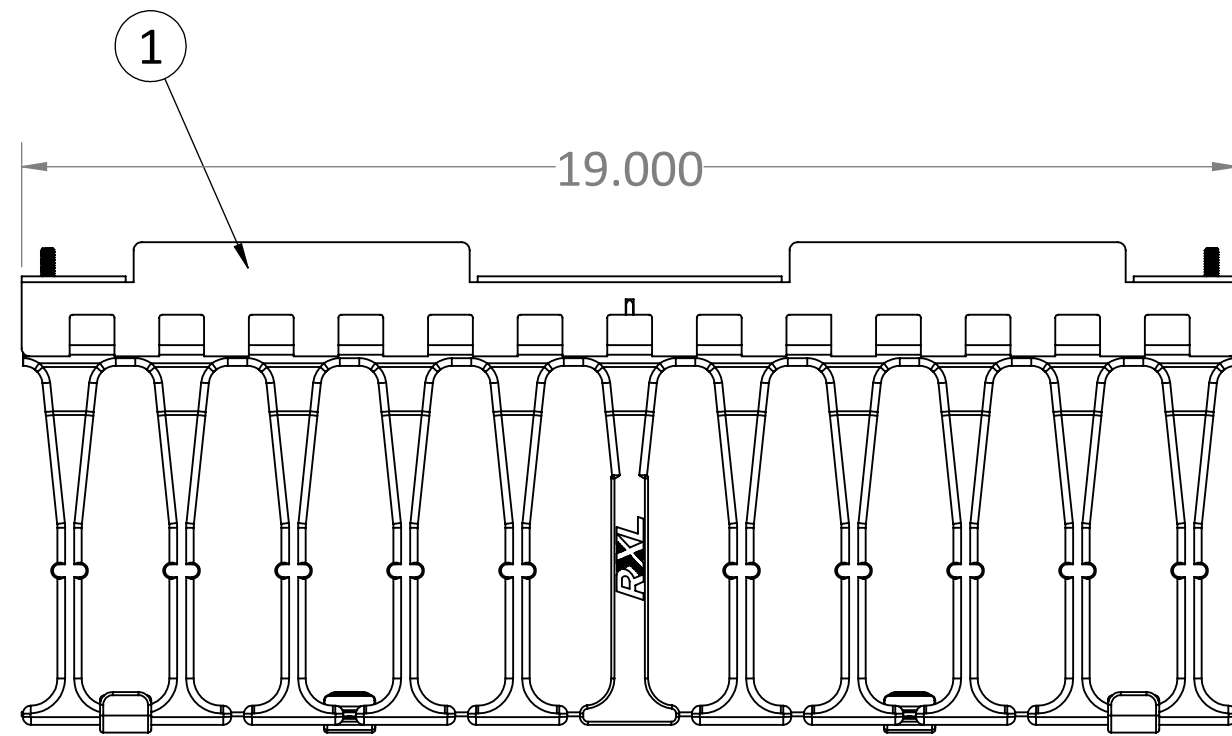


ITEM #	PART NUMBER	CONFIGURATION	REV	DESCRIPTION	MATERIAL	QTY
1	AS-3010-04	X1LF	A	Cable Manager Cover Assembly		1

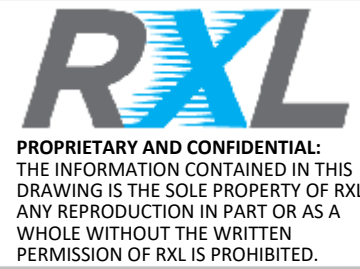
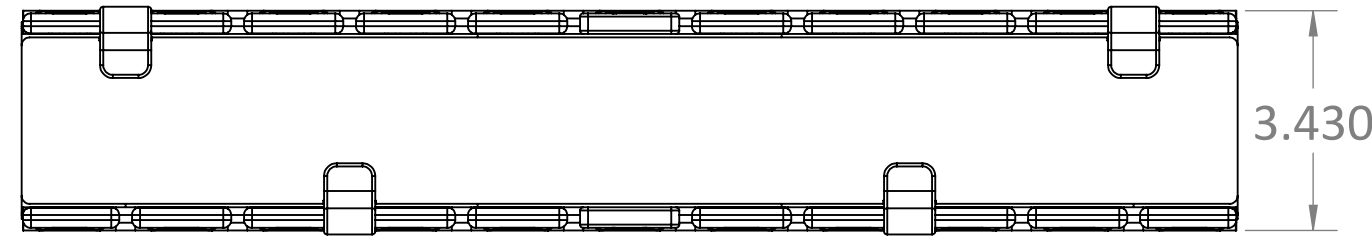
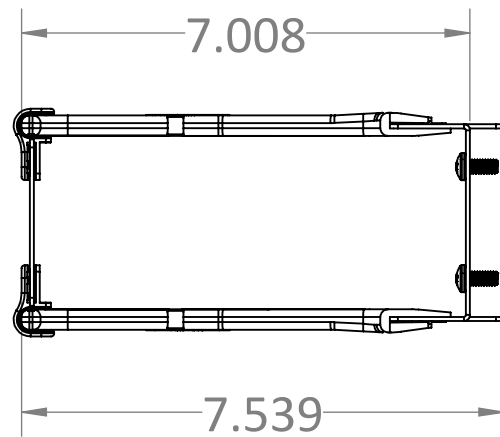
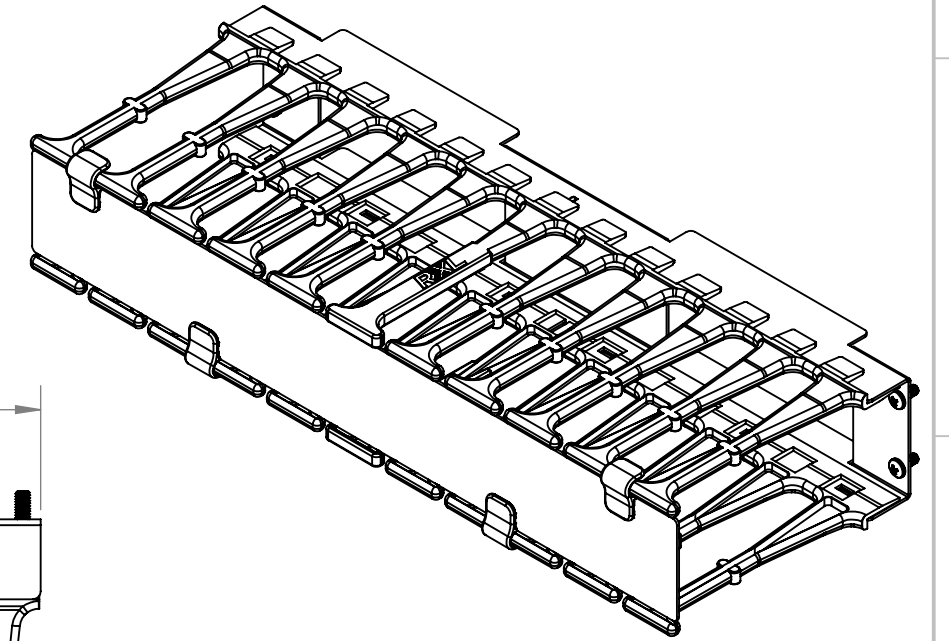
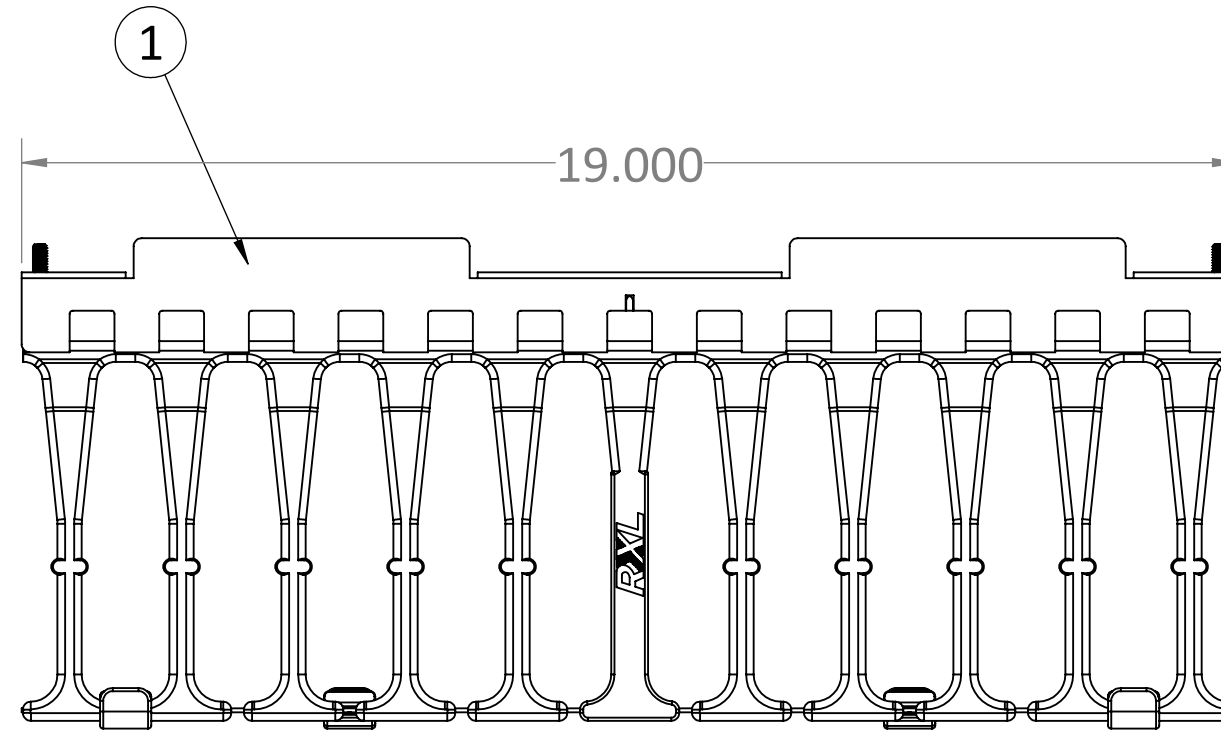


SERIES/FAMILY NUMBER: RXL-3010		
DESCRIPTION: 1U x LX x FY Single Sided Horizontal Cable Manager		
REVISION A	DATE 1/15/2019	REVISION DESCRIPTION: Initial

CONFIGURATION (SEE TABLE DETAILS/"X" DENOTES COLOR): X1LF

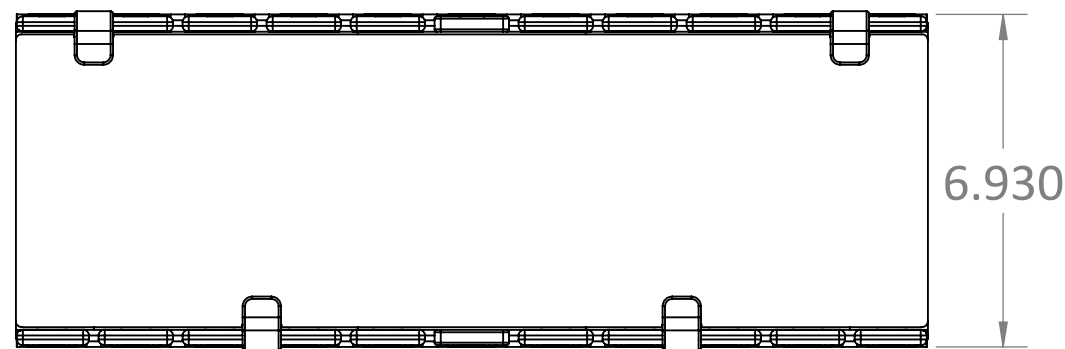
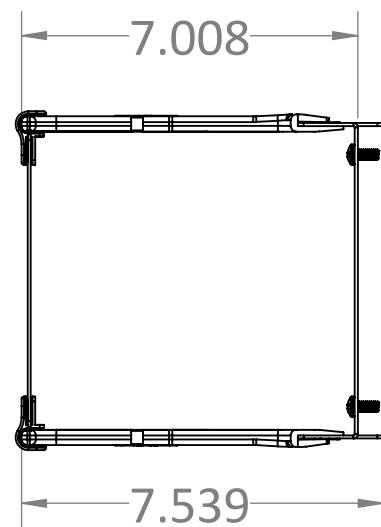
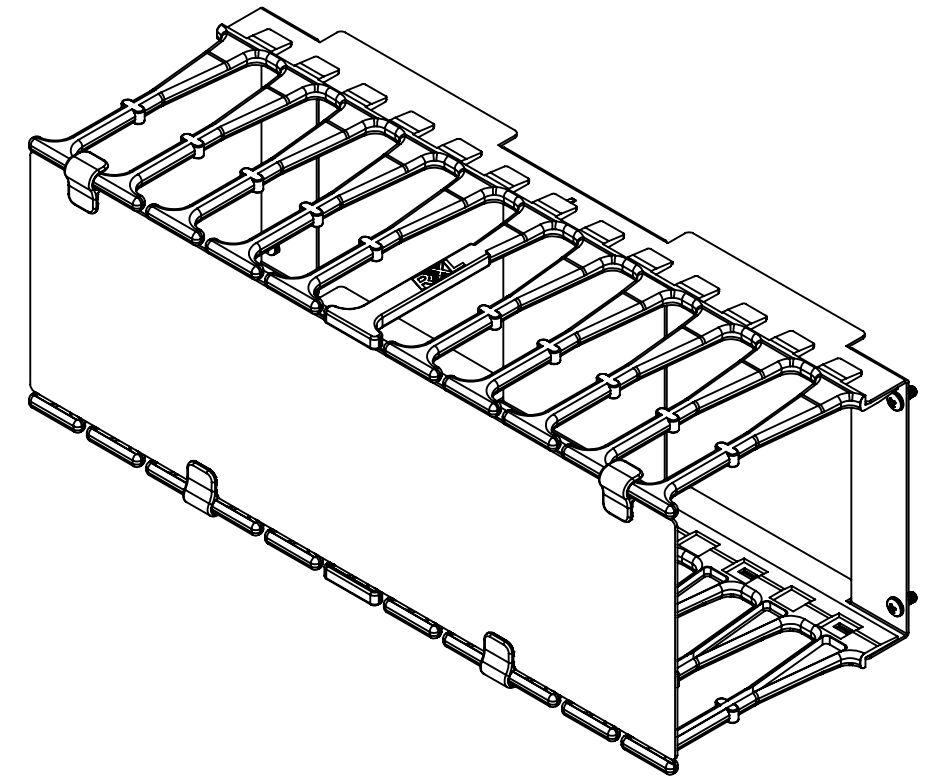
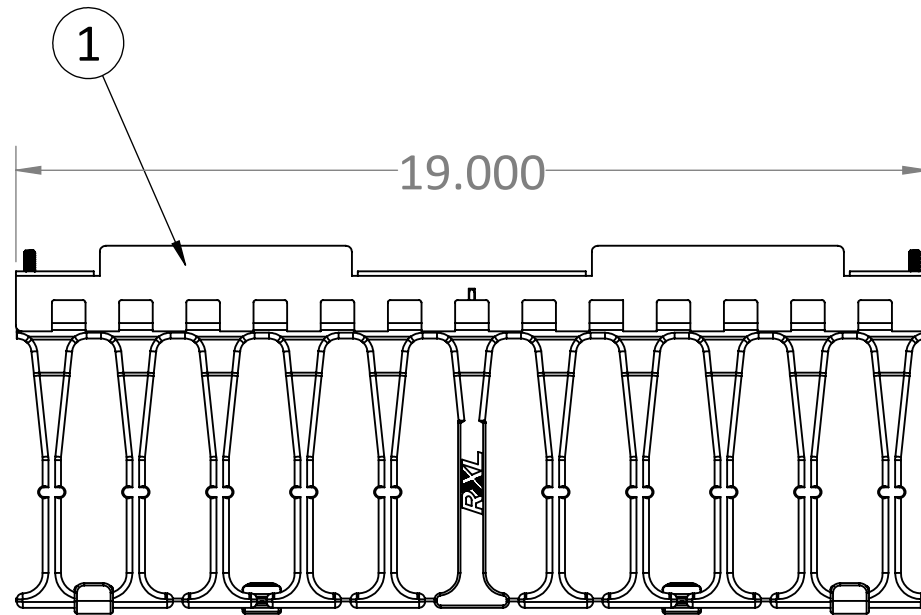
COMMENTS/FOLDER PATH: B:\RXL Inc\RXL Engineering - General\RXL\Section 3 - Cable Management\RXL-3010 Horizontal Cable Manager SS\			
UNLESS OTHERWISE SPECIFIED: DIMENSIONS ARE IN INCHES TOLERANCES: ±0.03 FRACTIONAL: ±1/32 ANGULAR: ±1° TWO PLACE DECIMAL ±0.03 THREE PLACE DECIMAL ±0.030	MATERIAL:	FULL PART NUMBER: RXL-3010-X1LF	
	FINISH: PAINT	DRAWN BY: Jackson Chong DRAWN DATE: 1/15/2019	
	WEIGHT: 2.25lbs.	SURFACE AREA: 576.28in. ²	DO NOT SCALE DRAWING Scale: 1:4

ITEM #	PART NUMBER	CONFIGURATION	REV	DESCRIPTION	MATERIAL	QTY
1	AS-3010-04	X2LF	A	Cable Manager Cover Assembly		1



SERIES/FAMILY NUMBER: RXL-3010		CONFIGURATION (SEE TABLE DETAILS/"X" DENOTES COLOR): X2LF		COMMENTS/FOLDER PATH: B:\RXL Inc\RXL Engineering - General\RXL\Section 3 - Cable Management\RXL-3010 Horizontal Cable Manager SS\	
DESCRIPTION: 2U x LX x FY Single Sided Horizontal Cable Manager				UNLESS OTHERWISE SPECIFIED: DIMENSIONS ARE IN INCHES TOLERANCES: ±0.03 FRACTIONAL: ±1/32 ANGULAR: ±1° TWO PLACE DECIMAL ±0.03 THREE PLACE DECIMAL ±0.030	
REVISION A	DATE 1/15/2019	REVISION DESCRIPTION: Initial		MATERIAL: FINISH: PAINT	FULL PART NUMBER: RXL-3010-X2LF DRAWN BY: Jackson Chong DRAWN DATE: 1/15/2019
			WEIGHT: 3.12lbs.	SURFACE AREA: 673.41in.²	DO NOT SCALE DRAWING Scale: 1:4
			DRAWING SIZE: B SHEET 2 OF 3		

ITEM #	PART NUMBER	CONFIGURATION	REV	DESCRIPTION	MATERIAL	QTY
1	AS-3010-04	X4LF	A	Cable Manager Cover Assembly		1



PROPRIETARY AND CONFIDENTIAL:
THE INFORMATION CONTAINED IN THIS
DRAWING IS THE SOLE PROPERTY OF RXL.
ANY REPRODUCTION IN PART OR AS A
WHOLE WITHOUT THE WRITTEN
PERMISSION OF RXL IS PROHIBITED.

SERIES/FAMILY NUMBER:
RXL-3010

DESCRIPTION:
4U x LX x FY Single Sided Horizontal Cable Manager

REVISION
A

DATE
1/15/2019

REVISION DESCRIPTION:
Initial

CONFIGURATION (SEE TABLE DETAILS/"X" DENOTES COLOR):
X4LF

COMMENTS/FOLDER PATH:
B:\RXL Inc\RXL Engineering - General\RXL\Section 3 - Cable Management\RXL-3010 Horizontal Cable Manager SS\

UNLESS OTHERWISE SPECIFIED:
DIMENSIONS ARE IN INCHES
TOLERANCES: ±0.03
FRACTIONAL: ±1/32
ANGULAR: ±1°
TWO PLACE DECIMAL ±0.03
THREE PLACE DECIMAL ±0.030

MATERIAL:
FINISH:
PAINT
WEIGHT:
4.83lbs.

SURFACE AREA:
864.2in.²

FULL PART NUMBER:
RXL-3010-X4LF

DRAWN BY: Jackson Chong
DRAWN DATE: 1/15/2019

DO NOT SCALE DRAWING
Scale: 1:4
DRAWING SIZE: B
SHEET 3 OF 3