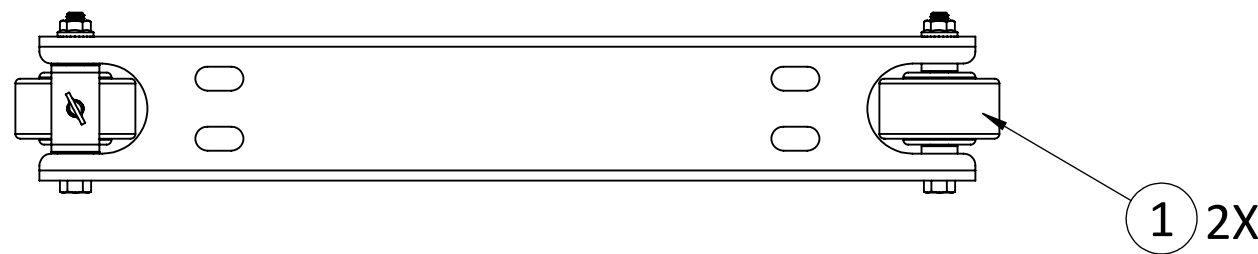
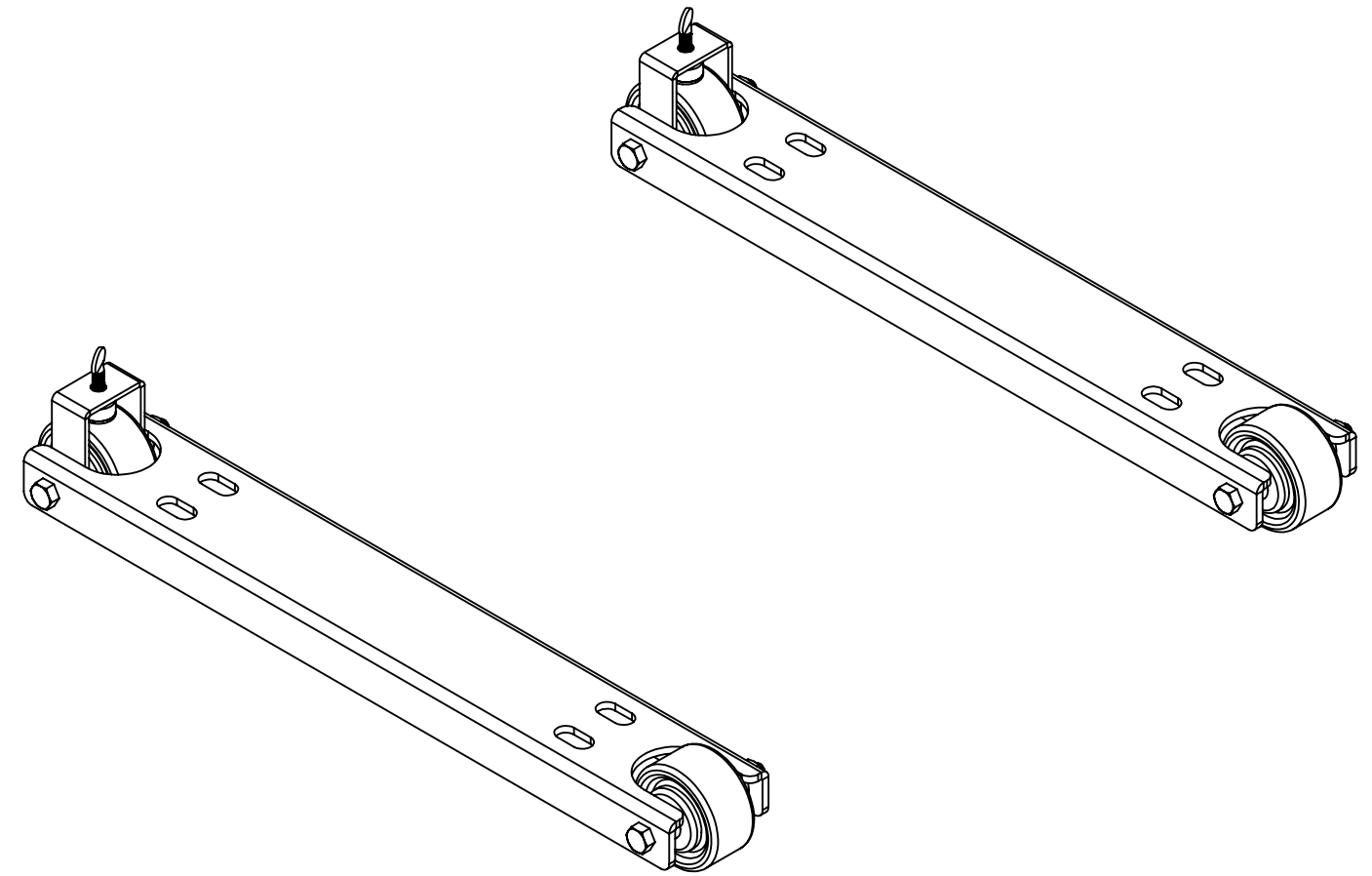
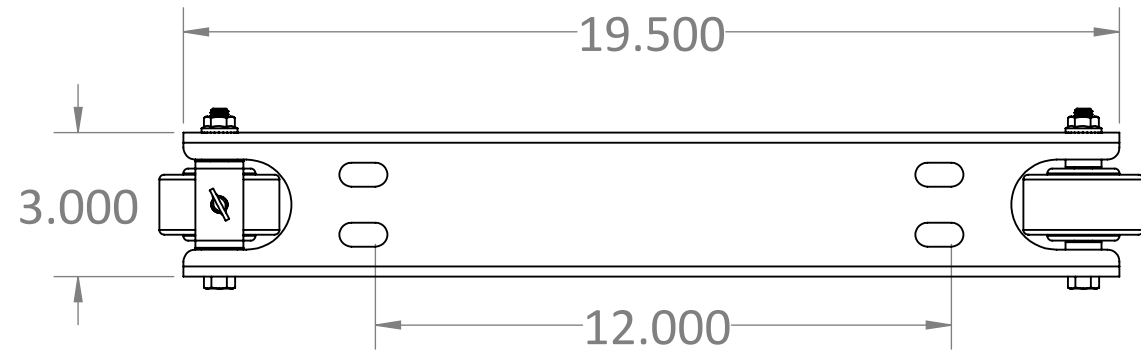


ITEM #	PART NUMBER	CONFIGURATION	REV	DESCRIPTION	MATERIAL	QTY
1	AS-2541-01	X12	A	Dolly Skate Assembly		2



RXL
 PROPRIETARY AND CONFIDENTIAL:
 THE INFORMATION CONTAINED IN THIS
 DRAWING IS THE SOLE PROPERTY OF RXL.
 ANY REPRODUCTION IN PART OR AS A
 WHOLE WITHOUT THE WRITTEN
 PERMISSION OF RXL IS PROHIBITED.

SERIES/FAMILY NUMBER:
RXL-2541

DESCRIPTION:
RXL-2541 Rack Dolly Skates

REVISION	DATE	REVISION DESCRIPTION:
A	1/27/2020	Initial

CONFIGURATION (SEE TABLE DETAILS/"X" DENOTES COLOR):
X12

COMMENTS/FOLDER PATH:
 B:\RXL Inc\RXL Engineering - General\RXL\Section 2 - Open Racks\RXL-2541 Rack Dolly Skates\

UNLESS OTHERWISE SPECIFIED:	MATERIAL:	FULL PART NUMBER:
DIMENSIONS ARE IN INCHES		RXL-2541-X12
TOLERANCES: ±0.03	FINISH:	DRAWN BY: Jackson Chong
FRACTIONAL: ±1/32	PAINT	DRAWN DATE: 1/27/2020
ANGULAR: ±1°	WEIGHT:	DO NOT SCALE DRAWING
TWO PLACE DECIMAL ±0.03	16.87lbs.	Scale: 1:4
THREE PLACE DECIMAL ±0.030	SURFACE AREA:	DRAWING SIZE: B
	572.78in. ²	SHEET 1 OF 1