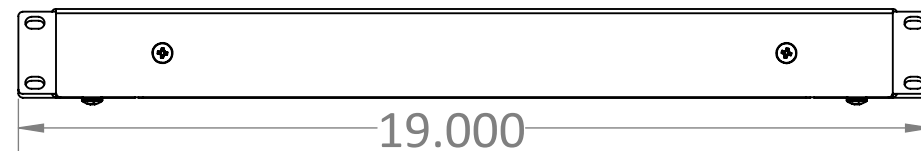
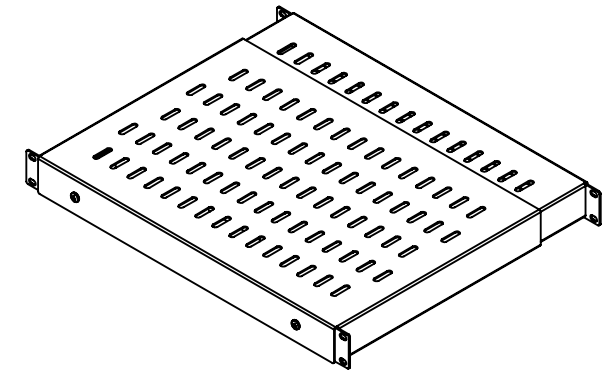
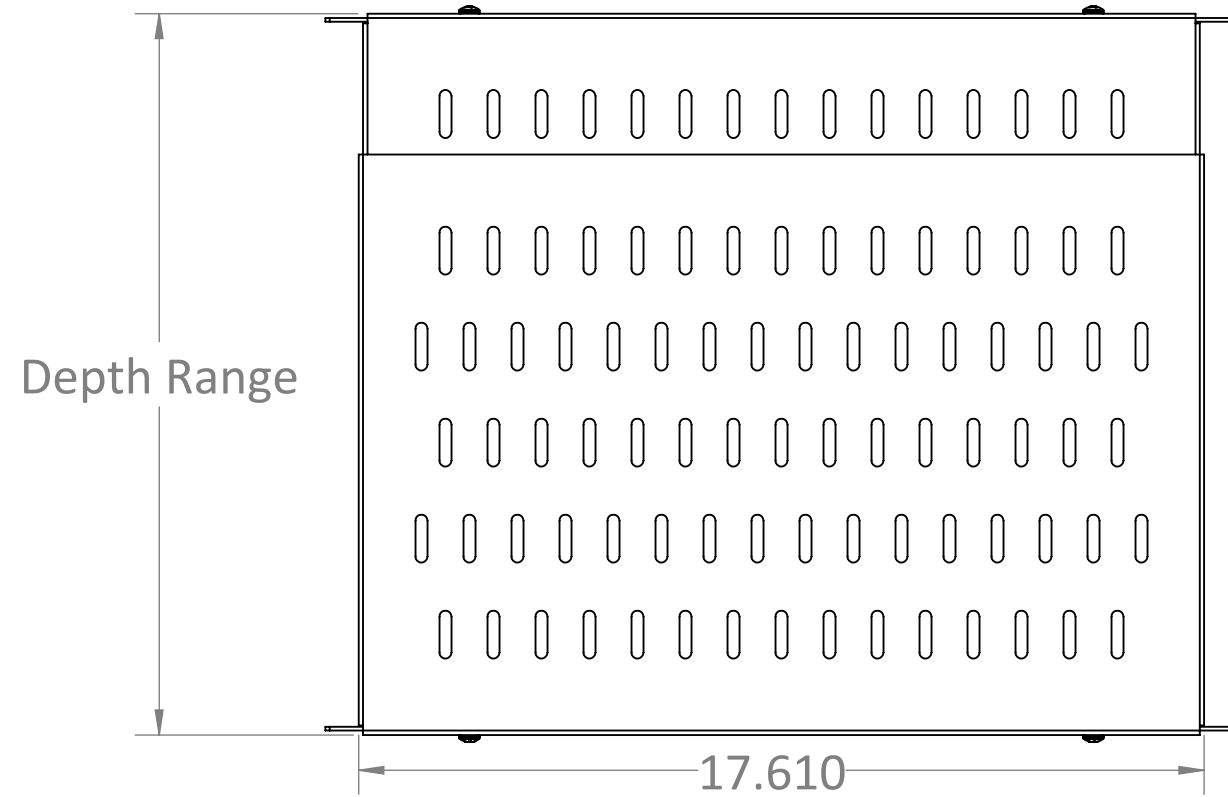


ITEM #	PART NUMBER	CONFIGURATION	REV	DESCRIPTION	MATERIAL	QTY
1	AS-2454-03	X12P	D	Perforated Telescopic Shelf Hardware Assembly, Range: 12in. to 20in.		1



PROPRIETARY AND CONFIDENTIAL:
THE INFORMATION CONTAINED IN THIS DRAWING IS THE SOLE PROPERTY OF RXL. ANY REPRODUCTION IN PART OR AS A WHOLE WITHOUT THE WRITTEN PERMISSION OF RXL IS PROHIBITED.

SERIES/FAMILY NUMBER:
RXL-2454

DESCRIPTION:
Perforated Telescopic Shelf Hardware Assembly, Range: 12in. to 20in.

REVISION
D

DATE
5/14/2020

REVISION DESCRIPTION:
File Restructure

CONFIGURATION (SEE TABLE DETAILS/"X" DENOTES COLOR):
X12P

COMMENTS/FOLDER PATH:
D:\RXL Inc\RXL - Engineering - Section 2 - Open Racks\RXL-2454 Telescopic 4Post Rack Shelf\

UNLESS OTHERWISE SPECIFIED:
DIMENSIONS ARE IN INCHES
TOLERANCES: ±0.03
FRACTIONAL: ±1/32
ANGULAR: ±1°
TWO PLACE DECIMAL ±0.03
THREE PLACE DECIMAL ±0.030

MATERIAL:
FINISH:
PAINT
WEIGHT:
12.04lbs.

SURFACE AREA:
1429.23in.²

FULL PART NUMBER:
RXL-2454-X12P

DRAWN BY: Jackson Chong
DRAWN DATE: 5/14/2020

DO NOT SCALE DRAWING
Scale: 1:4
DRAWING SIZE: **B**
SHEET 1 OF 5

8

7

6

5

4

3

2

1

F

E

D

C

B

A

F

E

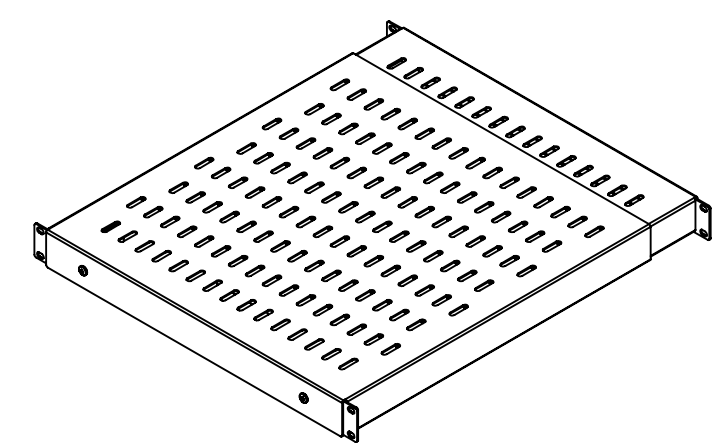
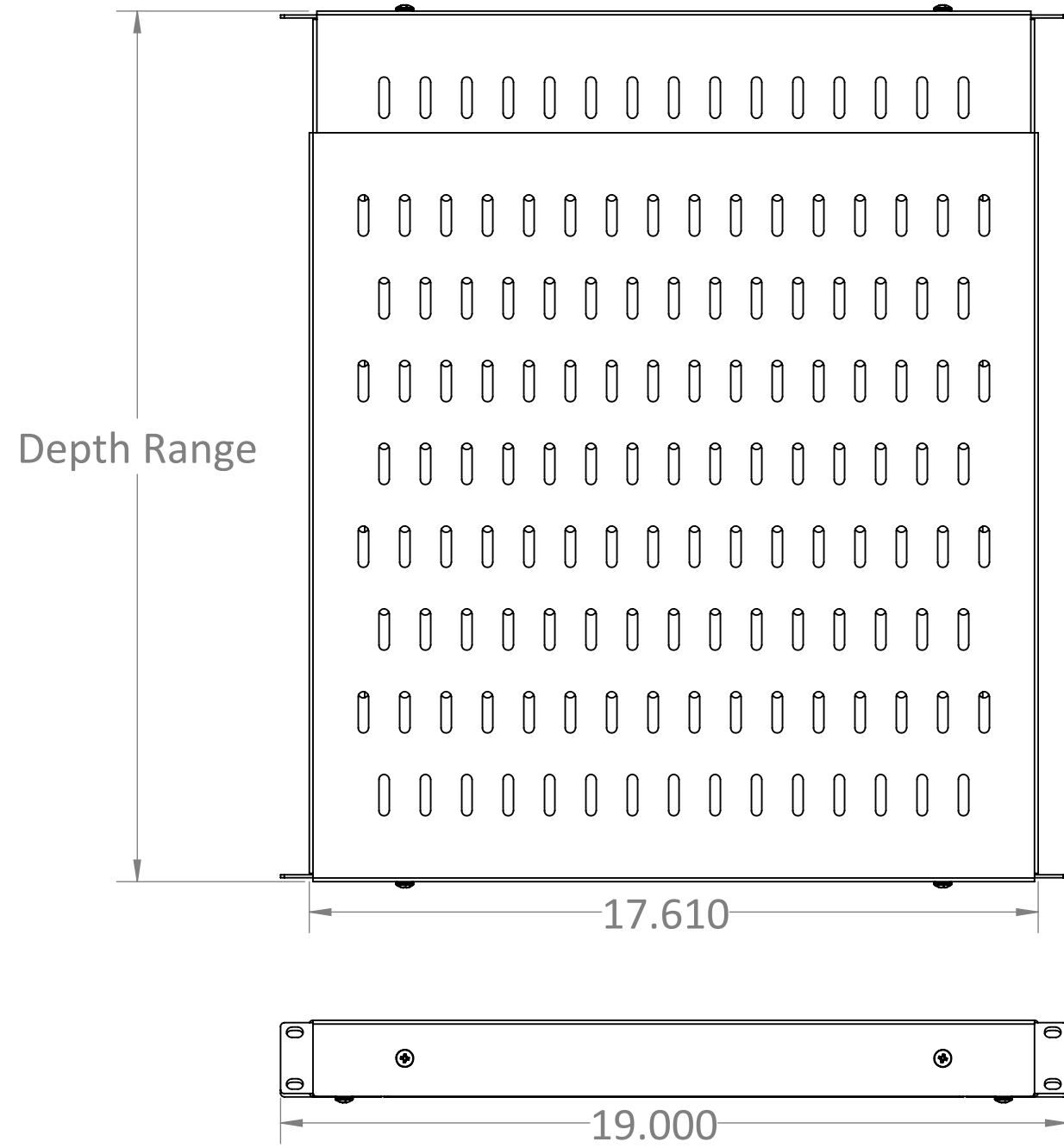
D

C

B

A

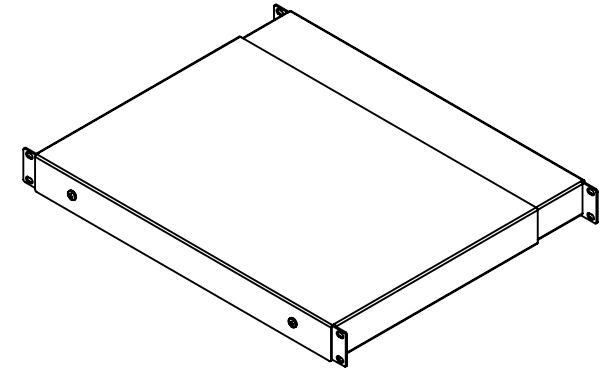
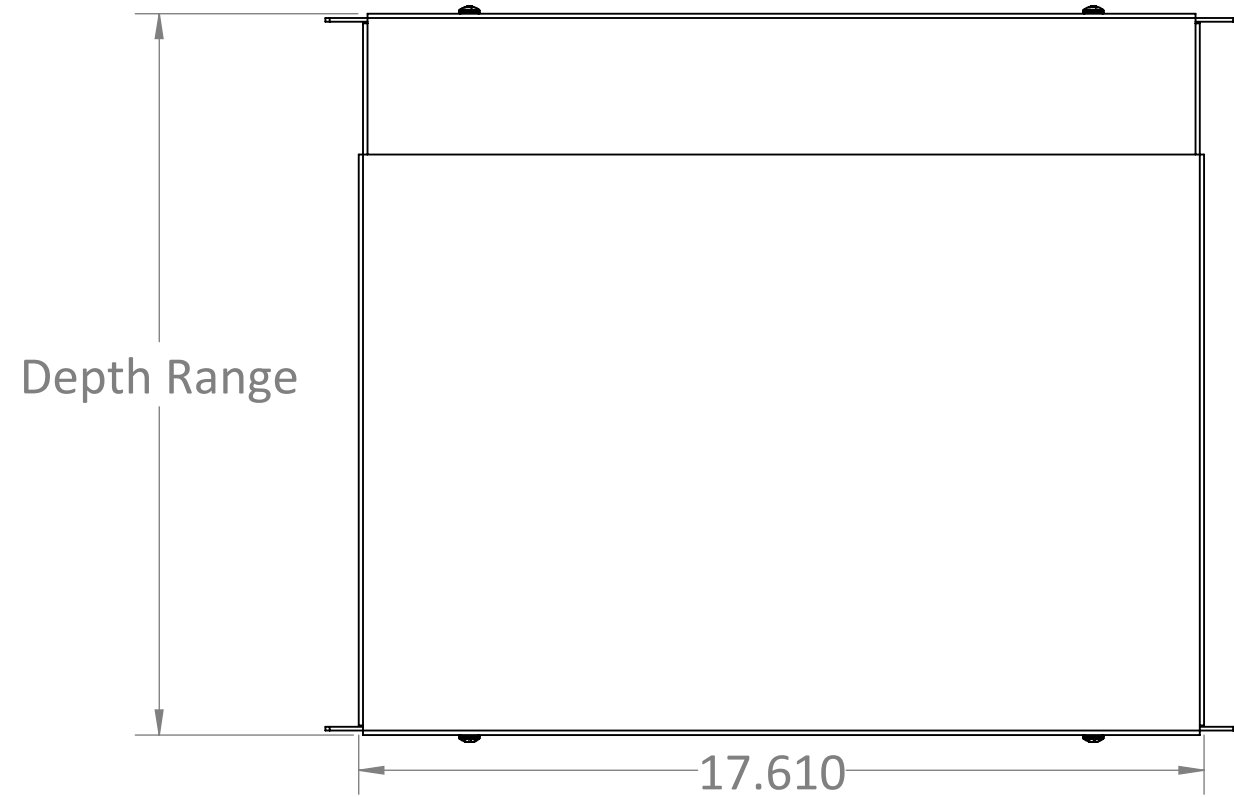
ITEM #	PART NUMBER	CONFIGURATION	REV	DESCRIPTION	MATERIAL	QTY
1	AS-2454-03	X18P	D	Perforated Telescopic Shelf Hardware Assembly, Range: 18in. to 32in.		1



RXL
 PROPRIETARY AND CONFIDENTIAL:
 THE INFORMATION CONTAINED IN THIS
 DRAWING IS THE SOLE PROPERTY OF RXL.
 ANY REPRODUCTION IN PART OR AS A
 WHOLE WITHOUT THE WRITTEN
 PERMISSION OF RXL IS PROHIBITED.

SERIES/FAMILY NUMBER: RXL-2454		CONFIGURATION (SEE TABLE DETAILS/"X" DENOTES COLOR): X18P		COMMENTS/FOLDER PATH: D:\RXL Inc\RXL - Engineering - Section 2 - Open Racks\RXL-2454 Telescopic 4Post Rack Shelf\		
DESCRIPTION: Perforated Telescopic Shelf Hardware Assembly, Range: 18in. to 32in.				UNLESS OTHERWISE SPECIFIED: DIMENSIONS ARE IN INCHES TOLERANCES: ±0.03 FRACTIONAL: ±1/32 ANGULAR: ±1° TWO PLACE DECIMAL ±0.03 THREE PLACE DECIMAL ±0.030		MATERIAL: FINISH: PAINT WEIGHT: 16.37lbs.
REVISION D	DATE 5/14/2020	REVISION DESCRIPTION: File Restructure		FULL PART NUMBER: RXL-2454-X18P DRAWN BY: Jackson Chong DRAWN DATE: 5/14/2020		
				DO NOT SCALE DRAWING Scale: 1:4		
				DRAWING SIZE: B SHEET 2 OF 5		

ITEM #	PART NUMBER	CONFIGURATION	REV	DESCRIPTION	MATERIAL	QTY
1	AS-2454-03	X12S	D	Solid Telescopic Shelf Hardware Assembly, Range: 12in. to 20in.		1



PROPRIETARY AND CONFIDENTIAL:
THE INFORMATION CONTAINED IN THIS DRAWING IS THE SOLE PROPERTY OF RXL. ANY REPRODUCTION IN PART OR AS A WHOLE WITHOUT THE WRITTEN PERMISSION OF RXL IS PROHIBITED.

SERIES/FAMILY NUMBER:
RXL-2454

DESCRIPTION:
Solid Telescopic Shelf Hardware Assembly, Range: 12in. to 20in.

REVISION
D

DATE
5/14/2020

REVISION DESCRIPTION:
File Restructure

CONFIGURATION (SEE TABLE DETAILS/"X" DENOTES COLOR):
X12S

COMMENTS/FOLDER PATH:
D:\RXL Inc\RXL - Engineering - Section 2 - Open Racks\RXL-2454 Telescopic 4Post Rack Shelf\

UNLESS OTHERWISE SPECIFIED:
DIMENSIONS ARE IN INCHES
TOLERANCES: ± 0.03
FRACTIONAL: $\pm 1/32$
ANGULAR: $\pm 1^\circ$
TWO PLACE DECIMAL ± 0.03
THREE PLACE DECIMAL ± 0.030

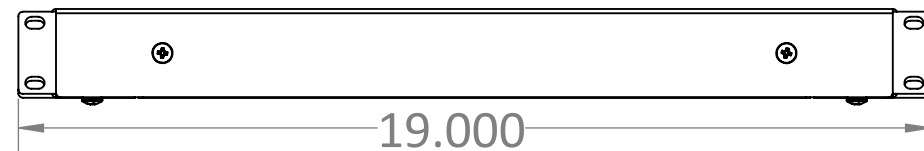
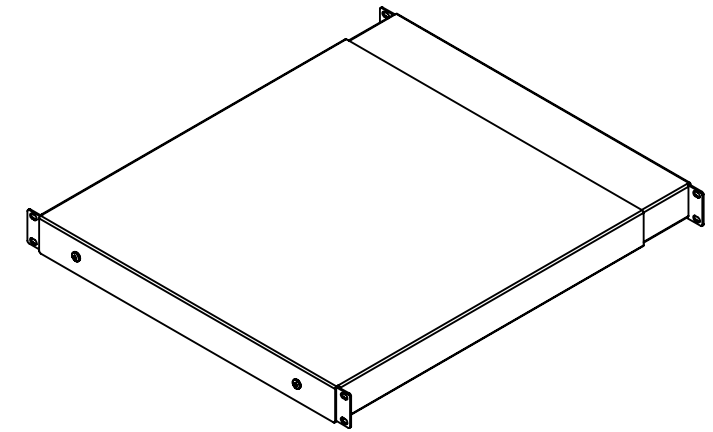
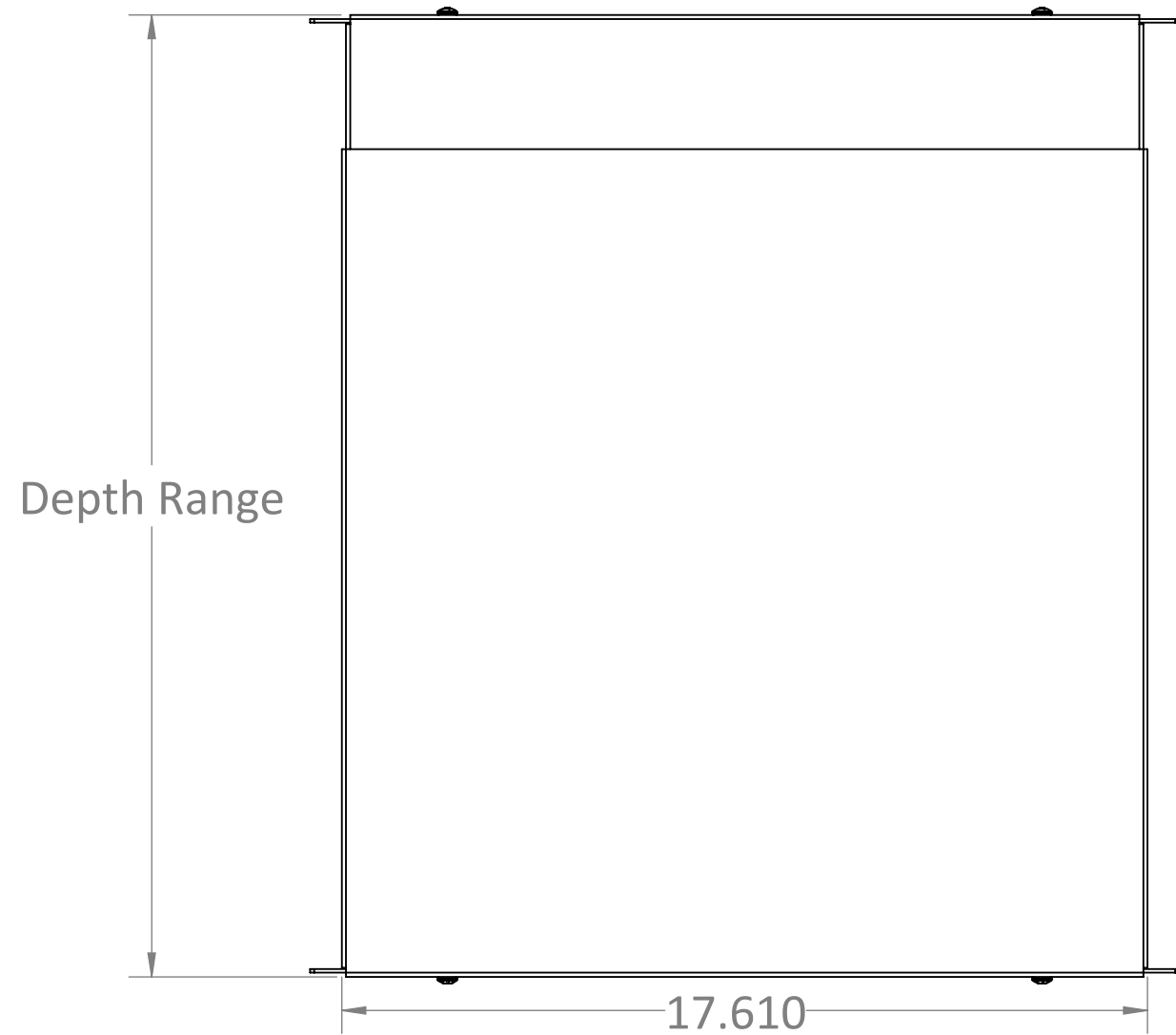
MATERIAL:
FINISH:
PAINT
WEIGHT:
12.65lbs.

SURFACE AREA:
1481.05in.²

FULL PART NUMBER:
RXL-2454-X12S
DRAWN BY: Jackson Chong
DRAWN DATE: 5/14/2020

DO NOT SCALE DRAWING
Scale: 1:4
DRAWING SIZE: B
SHEET 3 OF 5

ITEM #	PART NUMBER	CONFIGURATION	REV	DESCRIPTION	MATERIAL	QTY
1	AS-2454-03	X18S	D	Solid Telescopic Shelf Hardware Assembly, Range: 18in. to 32in.		1



PROPRIETARY AND CONFIDENTIAL:
THE INFORMATION CONTAINED IN THIS DRAWING IS THE SOLE PROPERTY OF RXL. ANY REPRODUCTION IN PART OR AS A WHOLE WITHOUT THE WRITTEN PERMISSION OF RXL IS PROHIBITED.

SERIES/FAMILY NUMBER:
RXL-2454

DESCRIPTION:
Solid Telescopic Shelf Hardware Assembly, Range: 18in. to 32in.

REVISION
D

DATE
5/14/2020

REVISION DESCRIPTION:
File Restructure

CONFIGURATION (SEE TABLE DETAILS/"X" DENOTES COLOR):
X18S

COMMENTS/FOLDER PATH:
D:\RXL Inc\RXL - Engineering - Section 2 - Open Racks\RXL-2454 Telescopic 4Post Rack Shelf\

UNLESS OTHERWISE SPECIFIED:
DIMENSIONS ARE IN INCHES
TOLERANCES: ±0.03
FRACTIONAL: ±1/32
ANGULAR: ±1°
TWO PLACE DECIMAL ±0.03
THREE PLACE DECIMAL ±0.030

MATERIAL:
FINISH:
PAINT
WEIGHT:
17.36lbs.

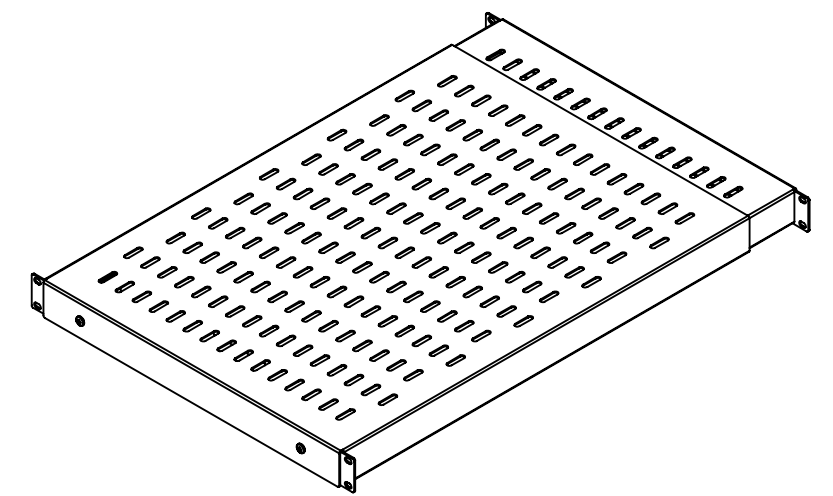
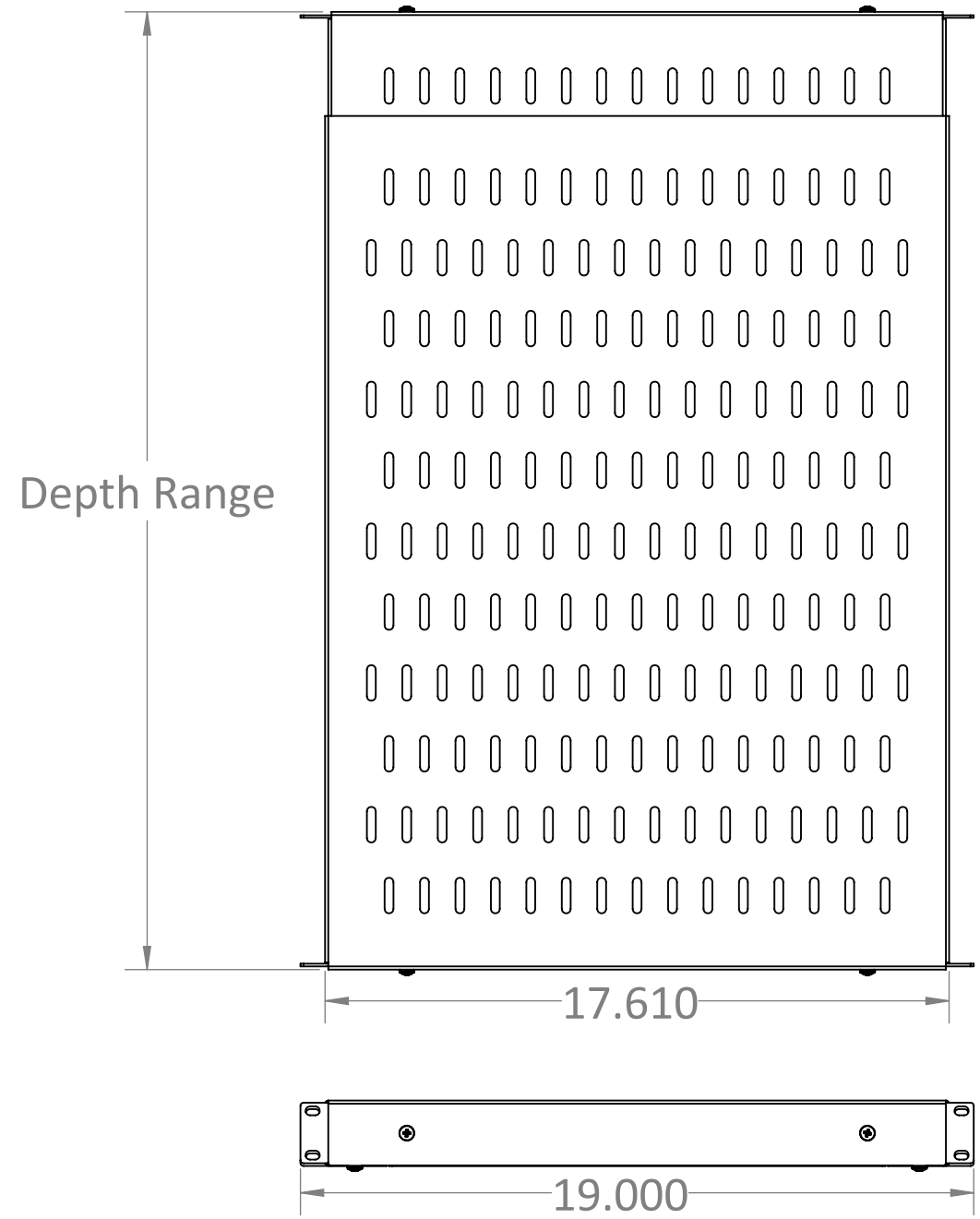
SURFACE AREA:
2041.38in.²

FULL PART NUMBER:
RXL-2454-X18S

DRAWN BY: Jackson Chong
DRAWN DATE: 5/14/2020

DO NOT SCALE DRAWING
Scale: 1:4
DRAWING SIZE: B
SHEET 4 OF 5

ITEM #	PART NUMBER	CONFIGURATION	REV	DESCRIPTION	MATERIAL	QTY
1	AS-2454-03	X24P	D	Perforated Telescopic Shelf Hardware Assembly, Range: 24in. to 44in.		1



RXL
 PROPRIETARY AND CONFIDENTIAL:
 THE INFORMATION CONTAINED IN THIS
 DRAWING IS THE SOLE PROPERTY OF RXL.
 ANY REPRODUCTION IN PART OR AS A
 WHOLE WITHOUT THE WRITTEN
 PERMISSION OF RXL IS PROHIBITED.

SERIES/FAMILY NUMBER: RXL-2454		CONFIGURATION (SEE TABLE DETAILS/"X" DENOTES COLOR): X24P		COMMENTS/FOLDER PATH: D:\RXL Inc\RXL - Engineering - Section 2 - Open Racks\RXL-2454 Telescopic 4Post Rack Shelf\			
DESCRIPTION: Perforated Telescopic Shelf Hardware Assembly, Range: 24in. to 44in.				UNLESS OTHERWISE SPECIFIED: DIMENSIONS ARE IN INCHES TOLERANCES: ±0.03 FRACTIONAL: ±1/32 ANGULAR: ±1° TWO PLACE DECIMAL ±0.03 THREE PLACE DECIMAL ±0.030		MATERIAL: FINISH: PAINT WEIGHT: 20.71lbs.	FULL PART NUMBER: RXL-2454-X24P DRAWN BY: Jackson Chong DRAWN DATE: 5/14/2020 SURFACE AREA: 2487.29in. ² DO NOT SCALE DRAWING Scale: 1:4 DRAWING SIZE: B SHEET 5 OF 5
REVISION D	DATE 5/14/2020	REVISION DESCRIPTION: File Restructure					