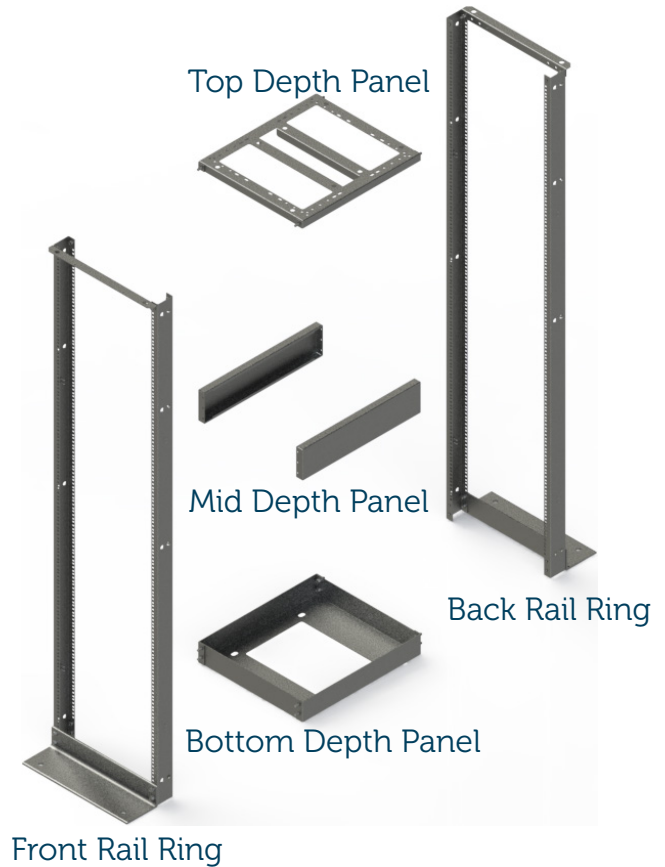


The 4-Post Fixed Server Rack supports IT equipment in Data Centers and Telecommunication rooms. Support standard 19" equipment. This rack can collaborate with both 2 and 4 post racks to expand existing systems. Easy to assembly, Created from (2) Two post racks and depth panels.

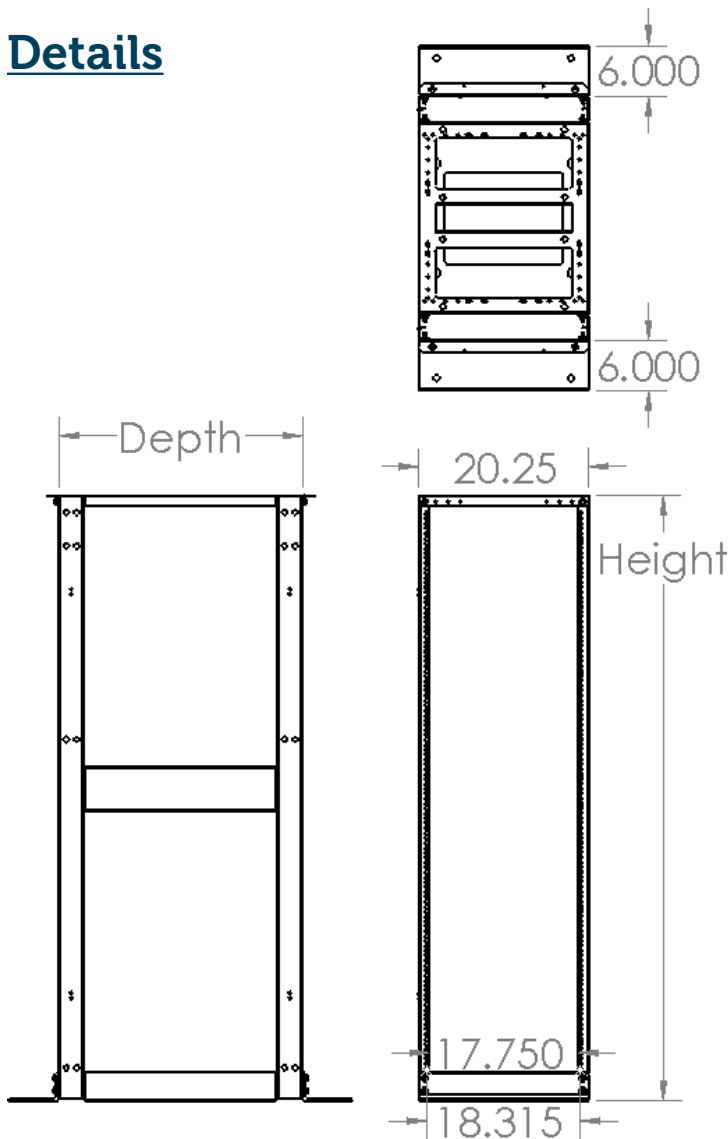
- Rails are RU marked for easy installing.
- Integrated grounding on rails
- 2000Lb. Load capacity



### SPECIFICATIONS

Description	Fixed 4Post Rack	
Use	Indoor Use Only	
Available Sizes	• Height:	7' (45U) / 8' (51U)
	• Depth	24" / 29" / 36"
	• Rail Style	#12-24 Tapped / 3/8" Square Punched
Load Capacity	2000Lb.	
Material	12GA Steel	
Construction	Assembled Rail Rings, Hardware Assembled Depth Brackets	
Finish	Powder Coated Paint	

## Details



Height: 7' (45U) / 8' (51U) Options available

- 1 RU = 1.75"

Rails: #12-24 Tapped or 3/8" Square available

- 19" EIA rack spacing, (18.315" Hole-to-Hole, 17.78" Front clearance, 19" Back clearance)
- Cage nuts provided with 3/8" Square version

Depth: 24" / 29" / 36" Options available

- Depth Panels assembled via bolts/screws
- Floor anchoring not included

\*Additional accessories available

## Included

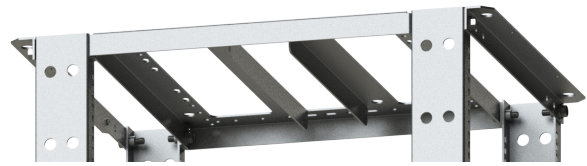
- (2) Rail Rings
- (1) Top Depth Panel
- (2) Mid Depth Panels
- (1) Bottom Depth Panel
- (1) Hardware Kit
  - (50) #12-24 Screws
  - (24) 3/8" Bolts
  - (50) Cage Nuts \*With Square Rails

ORDERING INFORMATION											
2	4	4	2	-	Color	Height (Overall/RU)		Depth		Rail Style	
WH					White	70	7' (45U)	24	24"	T	12-24 Tapped
BK					Black	80	8' (51U)	29	29"	S	3/8" Square
GR					Grey			36	36"		

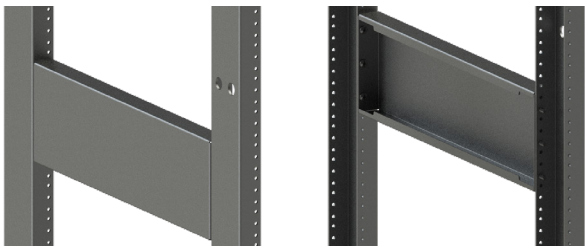
### Assembly



Connect Top Angle to rails, using 3/8" Bolts provided.



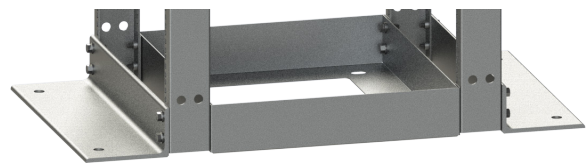
Top Depth Panel connects both front and back rail rings. Same hardware as angles.



OPTIONAL: Connect Middle Depth Panel using provided #12-24 screws / cage nuts as needed. Recommended in Center.



Connect Bottom Angle to rails, using 3/8" Bolts provided.



Bottom Depth Panel connects both front and back rail rings. Same hardware as angles.