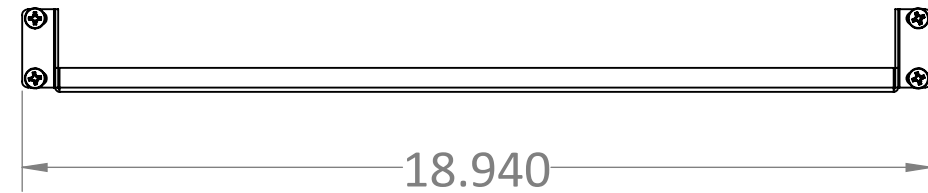
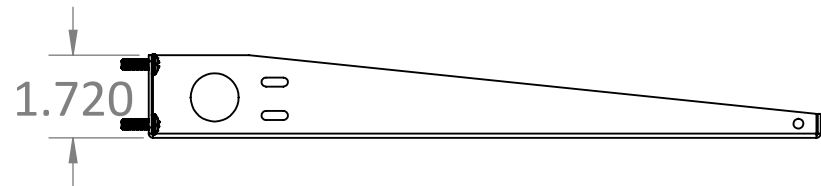
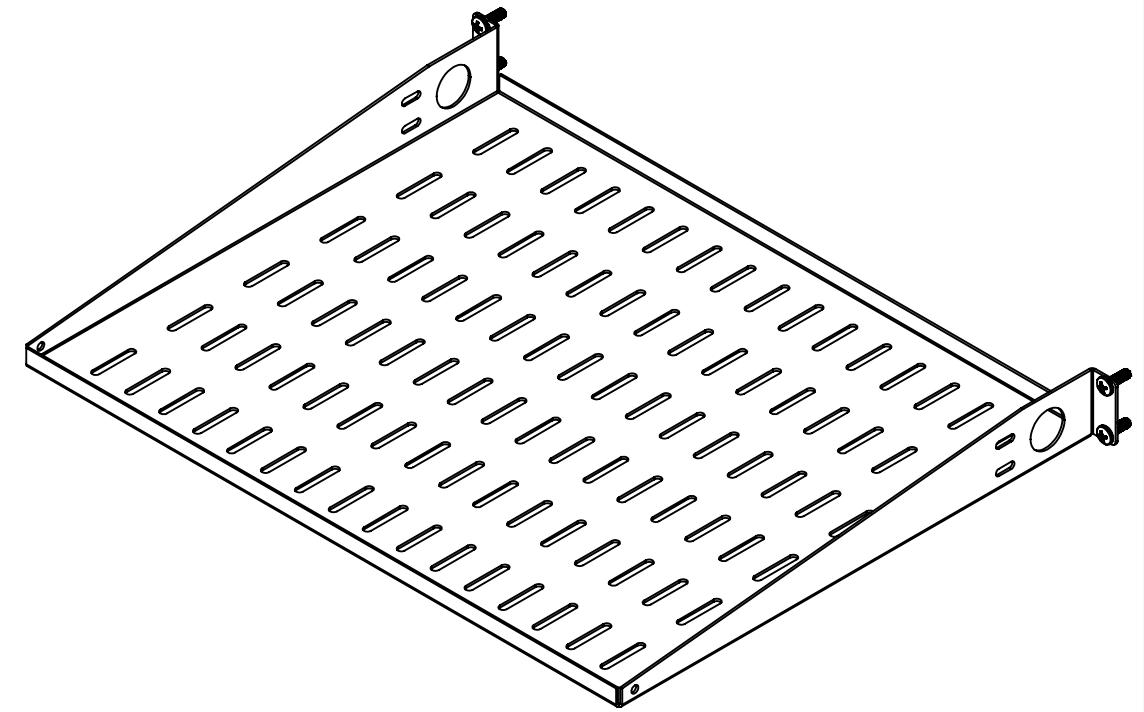
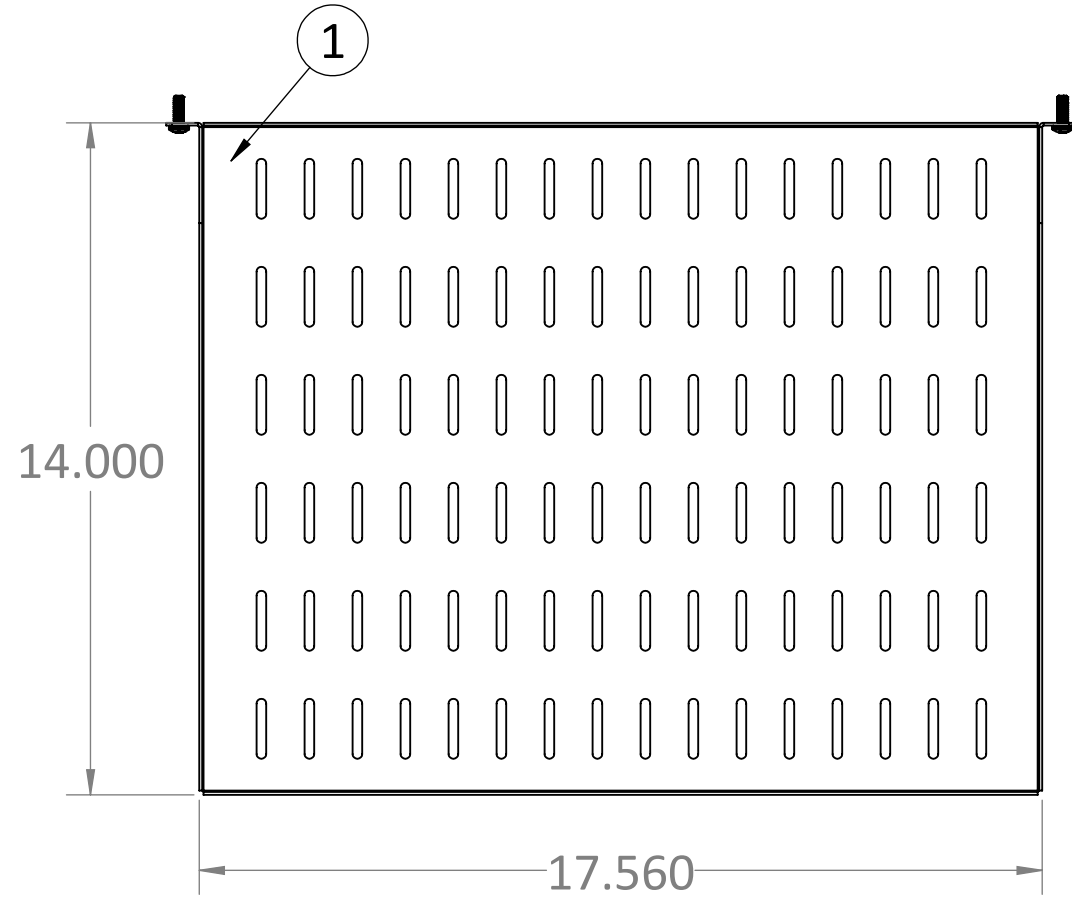



ITEM #	PART NUMBER	CONFIGURATION	REV	DESCRIPTION	MATERIAL	QTY
1	PT-2051-01	X01P	A	1.72in. H x 14in. D Perforated Shelf	16GA STEEL(0.0598)	1
2	1210CPBZ			Self Tapping Phillips Rounded Head Screws, 12-24 Thread, 5/8" Long	PURCHASE PART	4

Configuration			
DIM A	LENGTH	DIM B	LENGTH
01	1U	S	Solid
02	2U	P	Perforated
03	3U		

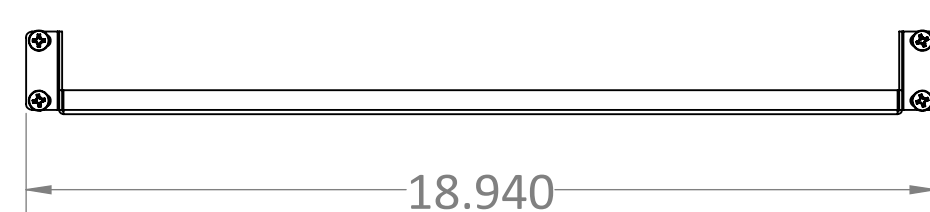
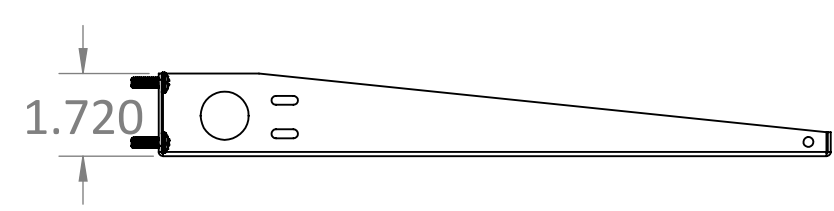
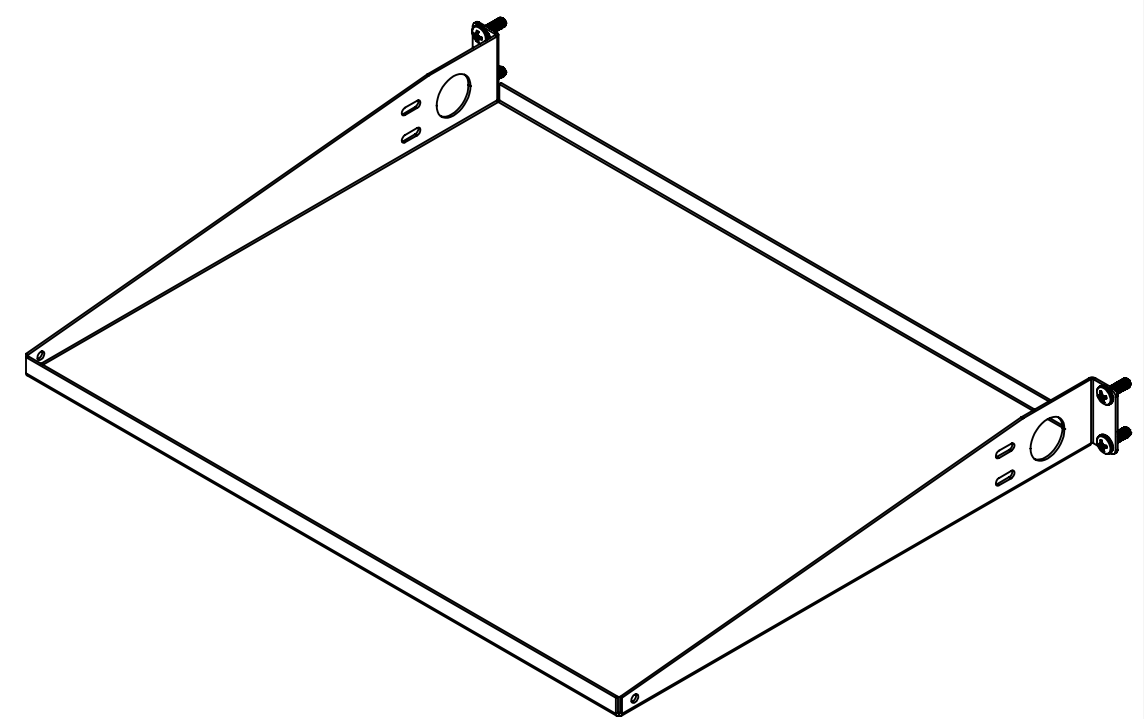
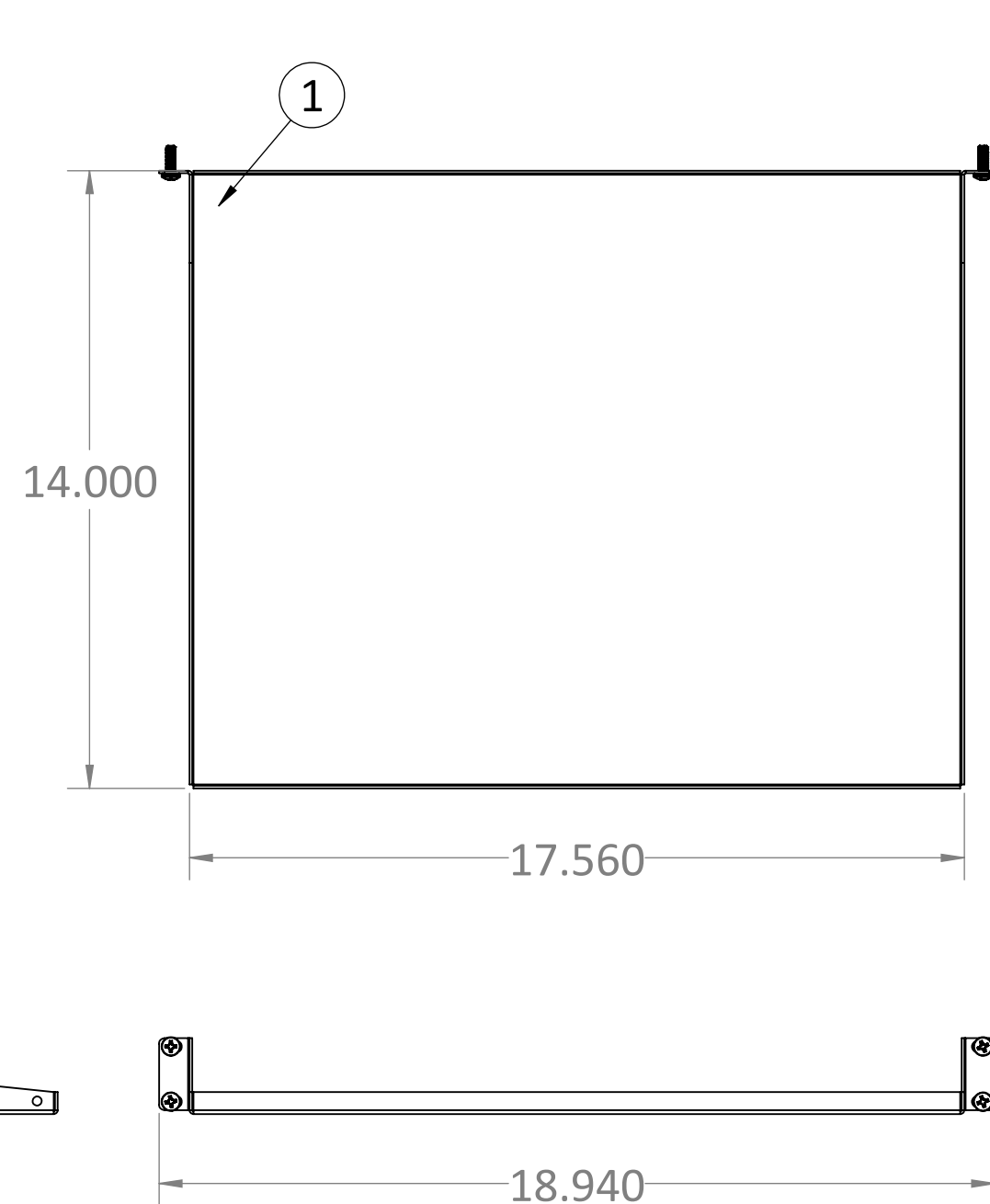



 <p>PROPRIETARY AND CONFIDENTIAL: THE INFORMATION CONTAINED IN THIS DRAWING IS THE SOLE PROPERTY OF RXL. ANY REPRODUCTION IN PART OR AS A WHOLE WITHOUT THE WRITTEN PERMISSION OF RXL IS PROHIBITED.</p>	SERIES/FAMILY NUMBER: RXL-2051		CONFIGURATION (SEE TABLE DETAILS/"X" DENOTES COLOR): X01P		COMMENTS/FOLDER PATH: D:\RXL Inc\RXL - Engineering - Section 2 - Open Racks\RXL-2051 Standard 2Post Rack Shelf\				
	DESCRIPTION: RXL-2051 Standard 2Post Rack Shelf								
	REVISION A	DATE 1/23/2020	REVISION DESCRIPTION: Initial				UNLESS OTHERWISE SPECIFIED: DIMENSIONS ARE IN INCHES TOLERANCES: ±0.03 FRACTIONAL: ±1/32 ANGULAR: ±1° TWO PLACE DECIMAL ±0.03 THREE PLACE DECIMAL ±0.030	MATERIAL: FINISH: PAINT WEIGHT: 4.51lbs.	FULL PART NUMBER: RXL-2051-X01P DRAWN BY: Jackson Chong DRAWN DATE: 1/23/2020 DO NOT SCALE DRAWING Scale: 1:4

8 7 6 5 4 3 2 1

ITEM #	PART NUMBER	CONFIGURATION	REV	DESCRIPTION	MATERIAL	QTY
1	PT-2051-01	X01S	A	1.72in. H x 14in. D Solid Shelf	16GA STEEL(0.0598)	1
2	1210CPBZ			Self Tapping Phillips Rounded Head Screws, 12-24 Thread, 5/8" Long	PURCHASE PART	4

Configuration			
DIM A	LENGTH	DIM B	LENGTH
01	1U	S	Solid
02	2U	P	Perforated
03	3U		



 PROPRIETARY AND CONFIDENTIAL: THE INFORMATION CONTAINED IN THIS DRAWING IS THE SOLE PROPERTY OF RXL. ANY REPRODUCTION IN PART OR AS A WHOLE WITHOUT THE WRITTEN PERMISSION OF RXL IS PROHIBITED.	SERIES/FAMILY NUMBER: RXL-2051		CONFIGURATION (SEE TABLE DETAILS/"X" DENOTES COLOR): X01S		COMMENTS/FOLDER PATH: D:\RXL Inc\RXL - Engineering - Section 2 - Open Racks\RXL-2051 Standard 2Post Rack Shelf\				
	DESCRIPTION: RXL-2051 Standard 2Post Rack Shelf								
	REVISION A	DATE 1/23/2020	REVISION DESCRIPTION: Initial				UNLESS OTHERWISE SPECIFIED: DIMENSIONS ARE IN INCHES TOLERANCES: ±0.03 FRACTIONAL: ±1/32 ANGULAR: ±1° TWO PLACE DECIMAL ±0.03 THREE PLACE DECIMAL ±0.030	MATERIAL: FINISH: PAINT WEIGHT: 4.9lbs.	FULL PART NUMBER: RXL-2051-X01S DRAWN BY: Jackson Chong DRAWN DATE: 1/23/2020 SURFACE AREA: 587.43in.²

8 7 6 5 4 3 2 1