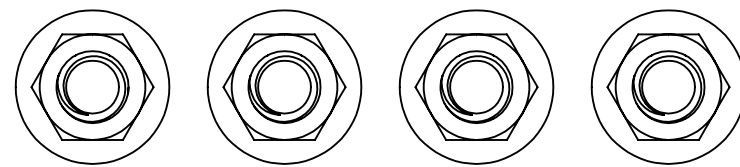
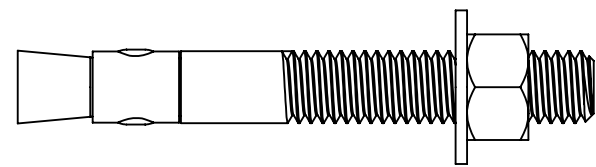
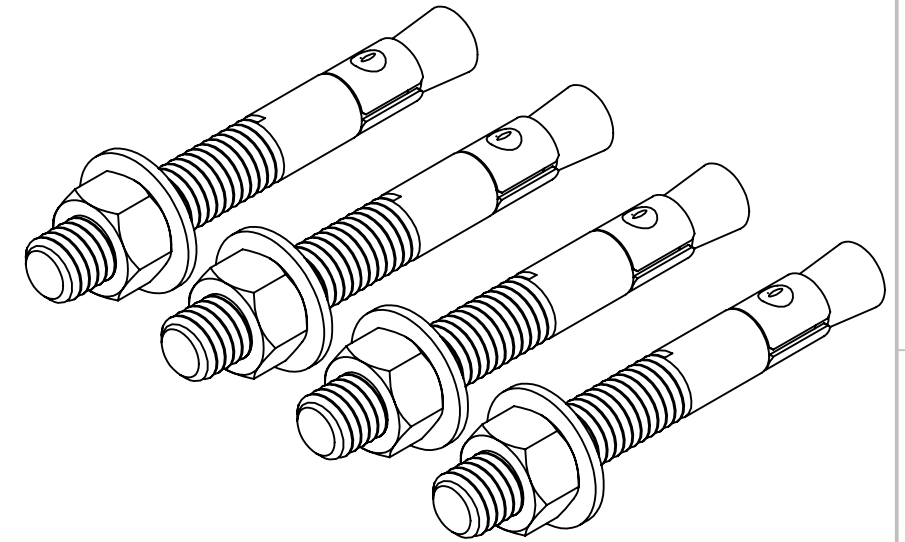
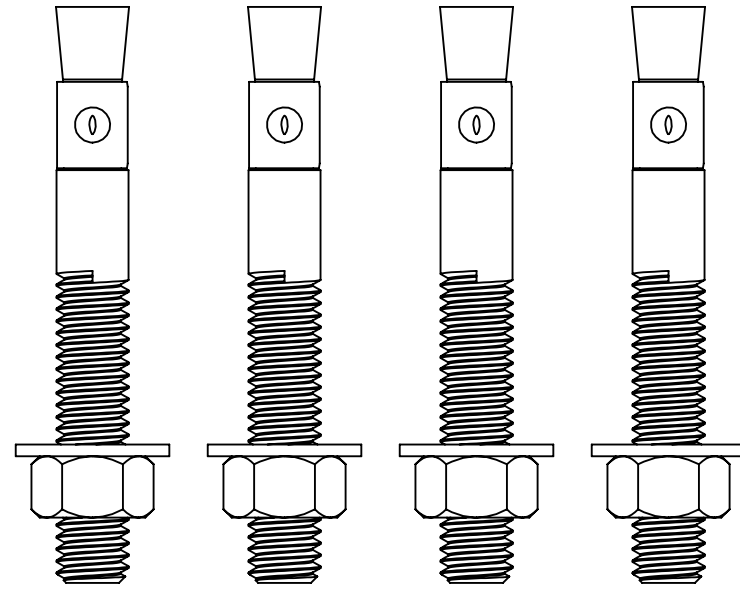


8 7 6 5 4 3 2 1

ITEM #	PART NUMBER	CONFIGURATION	REV	DESCRIPTION	MATERIAL	QTY
1	AS-2038-01	X00	A	3/8" Anchor Kit for Concrete, Qty 4		1



**PROPRIETARY AND CONFIDENTIAL:**  
THE INFORMATION CONTAINED IN THIS DRAWING IS THE SOLE PROPERTY OF RXL. ANY REPRODUCTION IN PART OR AS A WHOLE WITHOUT THE WRITTEN PERMISSION OF RXL IS PROHIBITED.

SERIES/FAMILY NUMBER:  
**RXL-2038**

DESCRIPTION:  
**Concrete Anchor Kit**

REVISION	DATE	REVISION DESCRIPTION:
<b>A</b>	<b>2/15/2019</b>	<b>Initial</b>

CONFIGURATION (SEE TABLE DETAILS/"X" DENOTES COLOR):  
**X00**

COMMENTS/FOLDER PATH:  
B:\RXL Inc\RXL Engineering - General\RXL\Section 2 - Open Racks\RXL-2038 Rack Concrete Anchor Kit\

UNLESS OTHERWISE SPECIFIED:  
DIMENSIONS ARE IN INCHES  
TOLERANCES: ±0.03  
FRACTIONAL: ±1/32  
ANGULAR: ±1°  
TWO PLACE DECIMAL ±0.03  
THREE PLACE DECIMAL ±0.030

MATERIAL:	FULL PART NUMBER:
FINISH: <b>NONE</b>	<b>RXL-2038-X00</b>
WEIGHT: <b>0.53lbs.</b>	DRAWN BY: Jackson Chong
SURFACE AREA: <b>105.97in.<sup>2</sup></b>	DRAWN DATE: 2/15/2019
	DO NOT SCALE DRAWING Scale: 1:4
	DRAWING SIZE: <b>B</b> SHEET 1 OF 1

8 7 6 5 4 3 2 1

F  
E  
D  
C  
B  
A

F  
E  
D  
C  
B  
A