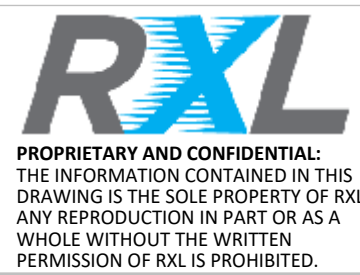
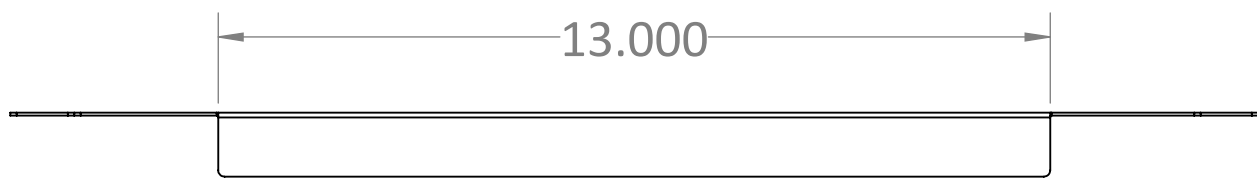
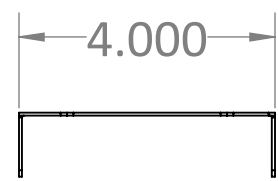
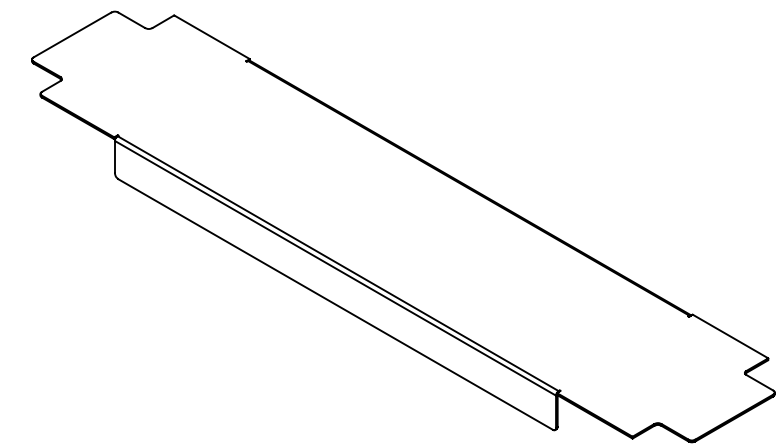


8 7 6 5 4 3 2 1

ITEM #	PART NUMBER	CONFIGURATION	REV	DESCRIPTION	MATERIAL	QTY
1	PT-2019-01	X193	A	19.5in. W x 4in. D Base Dust Cover	18GA STEEL(0.0478)	1

F
E
D
C
B
A

F
E
D
C
B
A



SERIES/FAMILY NUMBER: RXL-2019		CONFIGURATION (SEE TABLE DETAILS/"X" DENOTES COLOR): X193		COMMENTS/FOLDER PATH: D:\RXL Inc\RXL Engineering - General\RXL\Section 2 - Open Racks\RXL-2019 2 Post Rack Base Dust Cover\	
DESCRIPTION: Rack Base Dust Cover, 19in. W X 3in. D				UNLESS OTHERWISE SPECIFIED: DIMENSIONS ARE IN INCHES TOLERANCES: ±0.03 FRACTIONAL: ±1/32 ANGULAR: ±1° TWO PLACE DECIMAL ±0.03 THREE PLACE DECIMAL ±0.030	
REVISION A	DATE 4/9/2020	REVISION DESCRIPTION: Initial		MATERIAL: PAINT	FULL PART NUMBER: RXL-2019-X193
				WEIGHT: 1.34lbs.	SURFACE AREA: 200.71in.²
				DO NOT SCALE DRAWING Scale: 1:4	
				DRAWING SIZE: B SHEET 1 OF 1	

8 7 6 5 4 3 2 1