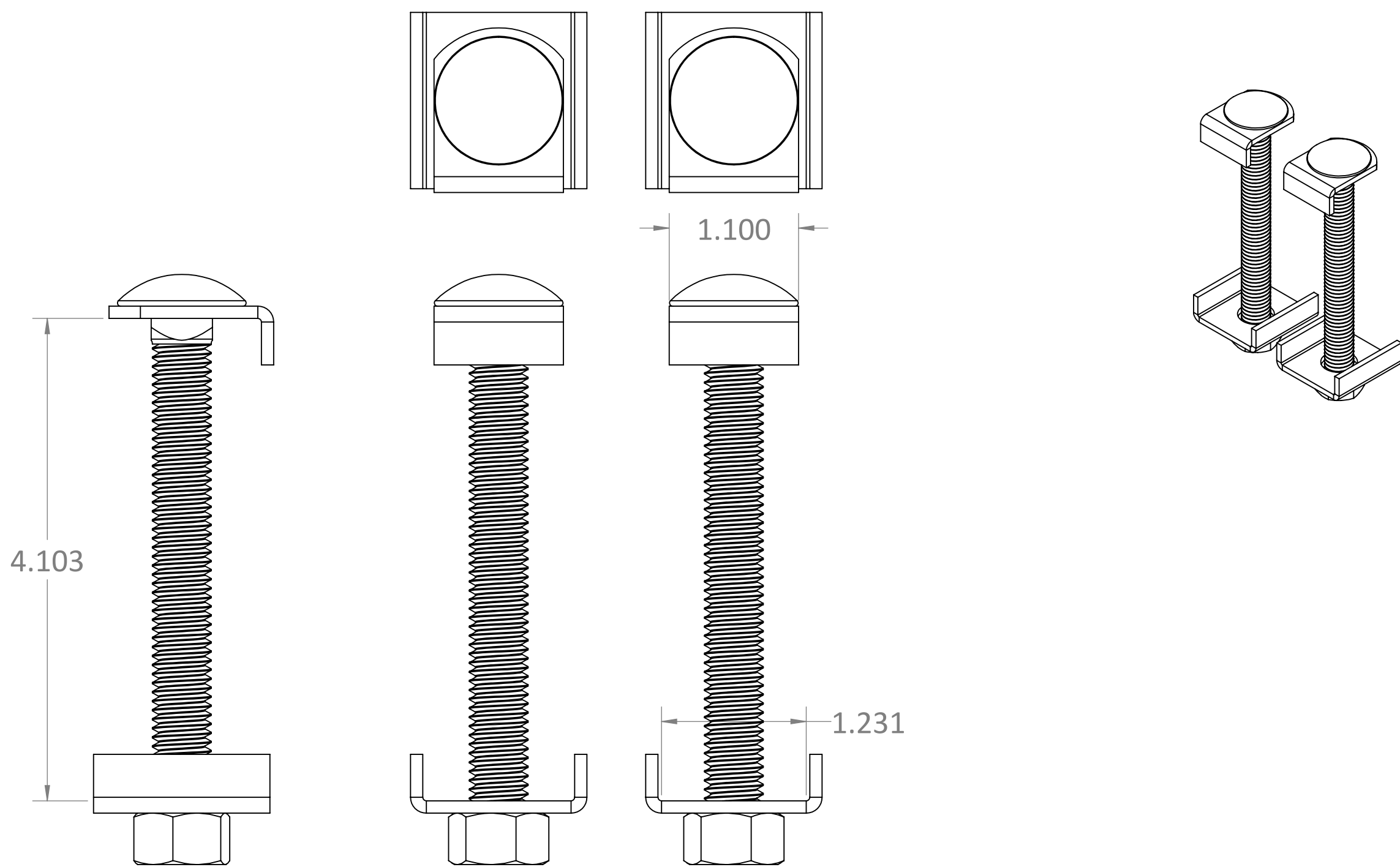


ITEM #	PART NUMBER	CONFIGURATION	DESCRIPTION	MATERIAL	QTY
1	AS-1645-02	X01	Framing Clip Hardware Assembly		2



RXL
 PROPRIETARY AND CONFIDENTIAL:
 THE INFORMATION CONTAINED IN THIS
 DRAWING IS THE SOLE PROPERTY OF RXL.
 ANY REPRODUCTION IN PART OR AS A
 WHOLE WITHOUT THE WRITTEN
 PERMISSION OF RXL IS PROHIBITED.

SERIES/FAMILY NUMBER:
RXL-1645

DESCRIPTION:
Auxiliary Framing Clip

REVISION **A** DATE **9/5/2019** REVISION DESCRIPTION:
Initial

CONFIGURATION (SEE TABLE DETAILS/"X" DENOTES COLOR):
X01

COMMENTS/FOLDER PATH:
 B:\RXL Inc\RXL Engineering - General\RXL\Section 1 - Cable Pathways\RXL-1645 Auxiliary Framing Clip\

UNLESS OTHERWISE SPECIFIED:
 DIMENSIONS ARE IN INCHES
 TOLERANCES: ±0.03
 FRACTIONAL: ±1/32
 ANGULAR: ±1°
 TWO PLACE DECIMAL ±0.03
 THREE PLACE DECIMAL ±0.030

MATERIAL:
 FINISH:
PAINT
 WEIGHT:
0.87lbs.

SURFACE AREA:
54.98in.²

FULL PART NUMBER:
RXL-1645-X01
 DRAWN BY: Jackson Chong
 DRAWN DATE: 9/5/2019
 DO NOT SCALE DRAWING DRAWING SIZE: **B**
 Scale: 1:4 SHEET 1 OF 1