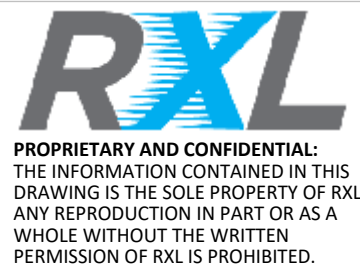
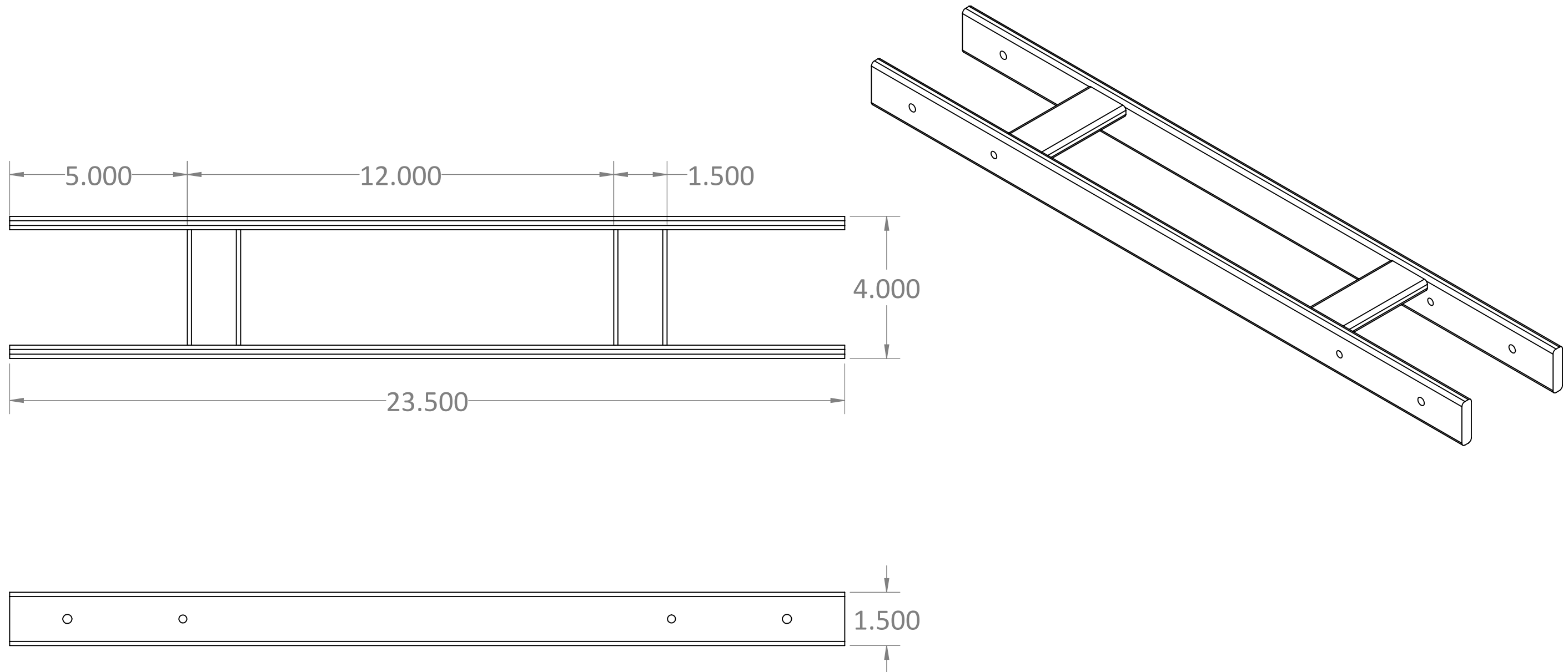


ITEM #	PART NUMBER	CONFIGURATION	DESCRIPTION	MATERIAL	QTY
1	WD-1150-01	X0402	1.5" Solid Global Runway Weldment		1



SERIES/FAMILY NUMBER:
RXL-1150

DESCRIPTION:
04in. W x 02ft. L Solid Global Cable Runway

REVISION	DATE	REVISION DESCRIPTION:
A	10/29/2021	Initial

CONFIGURATION (SEE TABLE DETAILS/"X" DENOTES COLOR):
X0402

COMMENTS/FOLDER PATH:
B:\RXL Inc\RXL Engineering - General\RXL\Section 1 - Cable Pathways\RXL-1150 Solid Global Cable Runway\

UNLESS OTHERWISE SPECIFIED:
DIMENSIONS ARE IN INCHES
TOLERANCES: ±0.03
FRACTIONAL: ±1/32
ANGULAR: ±1°
TWO PLACE DECIMAL ±0.03
THREE PLACE DECIMAL ±0.030

MATERIAL:
FINISH:
PAINT
WEIGHT:
7.62lbs.
SURFACE AREA:
214.78in.²

FULL PART NUMBER:
RXL-1150-X0402
DRAWN BY: Jackson Chong
DRAWN DATE: 10/29/2021
DO NOT SCALE DRAWING
Scale: 1:4
DRAWING SIZE: B
SHEET 1 OF 1