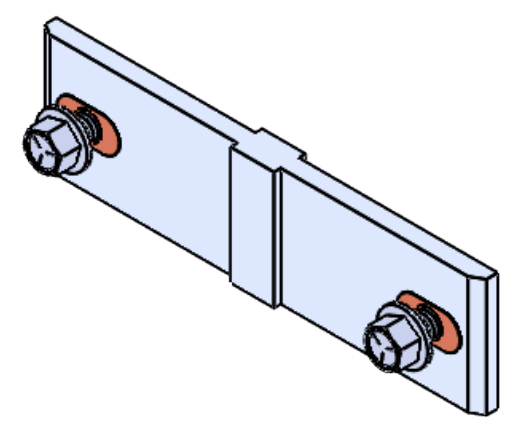
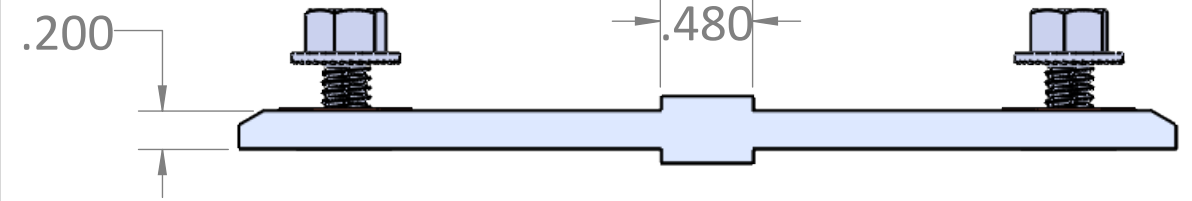
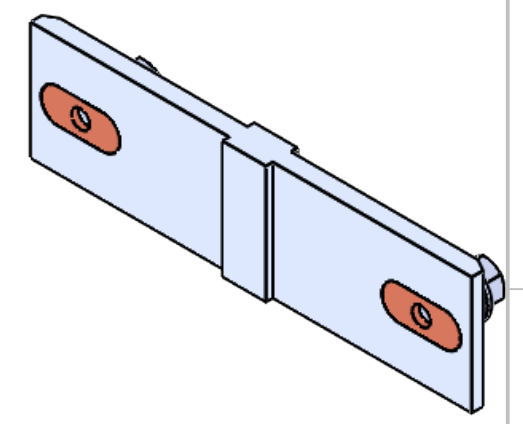
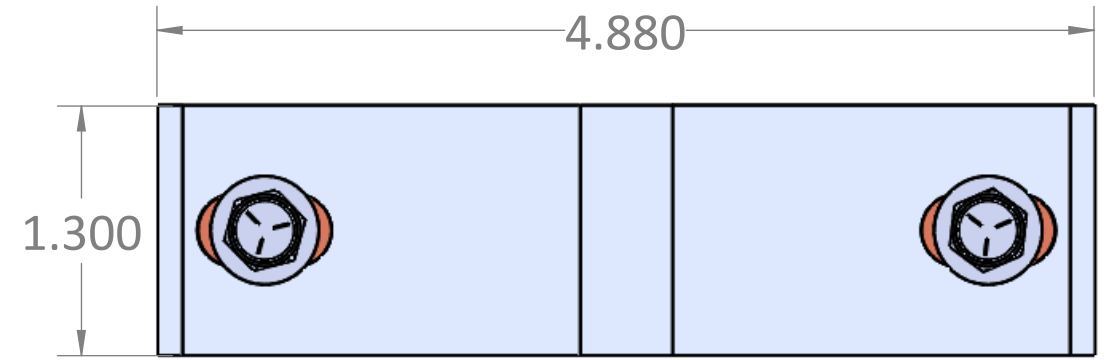


	8	7	6	5	4	3	2	1
ITEM #	PART NUMBER	CONFIGURATION	DESCRIPTION				MATERIAL	QTY
1	AS-1099-02	X	Grounding Splice Bar Hardware Assembly					2

F
E
D
C
B
A

F
E
D
C
B
A



RXL
 PROPRIETARY AND CONFIDENTIAL:
 THE INFORMATION CONTAINED IN THIS
 DRAWING IS THE SOLE PROPERTY OF RXL.
 ANY REPRODUCTION IN PART OR AS A
 WHOLE WITHOUT THE WRITTEN
 PERMISSION OF RXL IS PROHIBITED.

SERIES/FAMILY NUMBER:
RXL-1099

DESCRIPTION:
Grounding Butt Splice

REVISION	DATE	REVISION DESCRIPTION:
B	4/6/2022	Update to files

CONFIGURATION (SEE TABLE DETAILS/"X" DENOTES COLOR):
X

COMMENTS/FOLDER PATH:
 B:\RXL Inc\RXL Engineering - General\RXL\Section 1 - Cable Pathways\RXL-1099 Grounding Butt Splice\

UNLESS OTHERWISE SPECIFIED: DIMENSIONS ARE IN INCHES TOLERANCES: ±0.03 FRACTIONAL: ±1/32 ANGULAR: ±1° TWO PLACE DECIMAL ±0.03 THREE PLACE DECIMAL ±0.030	MATERIAL: FINISH: NONE WEIGHT: 0.36lbs.	SURFACE AREA: 40.49in.²	FULL PART NUMBER: RXL-1099-X DRAWN BY: Jackson Chong DRAWN DATE: 4/6/2021 DO NOT SCALE DRAWING Scale: 1:4	DRAWING SIZE: B SHEET 1 OF 1
--	---	--	---	---------------------------------

	8	7	6	5	4	3	2	1
--	---	---	---	---	---	---	---	---