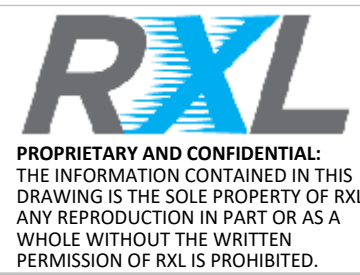
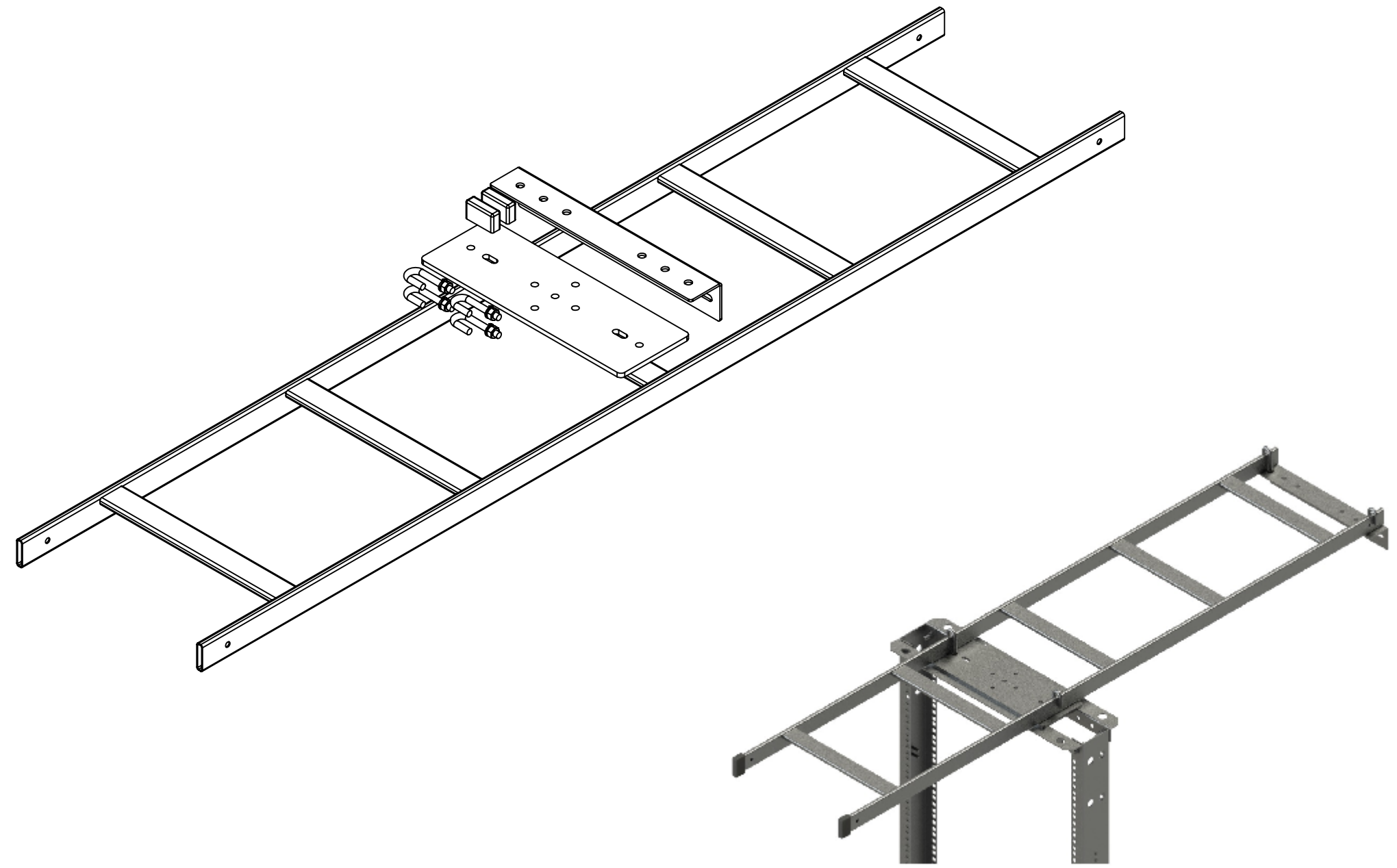
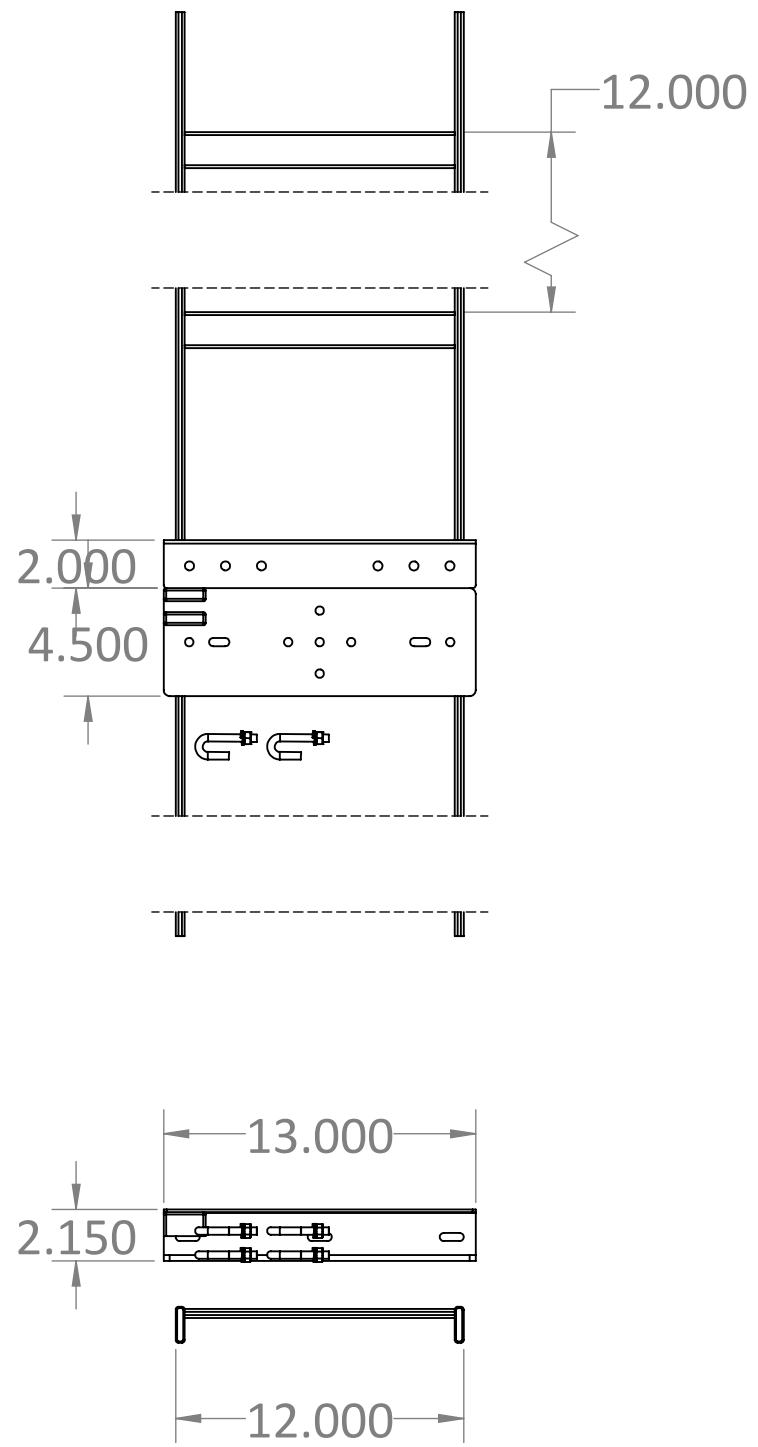


8 7 6 5 4 3 2 1

F
E
D
C
B
A

F
E
D
C
B
A



SERIES/FAMILY NUMBER:
RXL-1089

DESCRIPTION:
12in. W Wall to Rack Kit

REVISION A	DATE 9/23/2020	REVISION DESCRIPTION: Initial
----------------------	--------------------------	-----------------------------------------

CONFIGURATION (SEE TABLE DETAILS/"X" DENOTES COLOR):
X12

COMMENTS/FOLDER PATH:
B:\RXL Inc\RXL Engineering - General\RXL\Section 1 - Cable Pathways\RXL-1089 Wall to Rack Kit\

UNLESS OTHERWISE SPECIFIED: DIMENSIONS ARE IN INCHES TOLERANCES: ±0.03 FRACTIONAL: ±1/32 ANGULAR: ±1° TWO PLACE DECIMAL ±0.03 THREE PLACE DECIMAL ±0.030	MATERIAL:	FULL PART NUMBER: RXL-1089-X12
	FINISH: NONE	DRAWN BY: Jackson Chong DRAWN DATE: 9/23/2020
WEIGHT: 16.08lbs.	SURFACE AREA: 1453.37in.²	DO NOT SCALE DRAWING Scale: 1:4
		DRAWING SIZE: B SHEET 1 OF 1

8 7 6 5 4 3 2 1

A

A