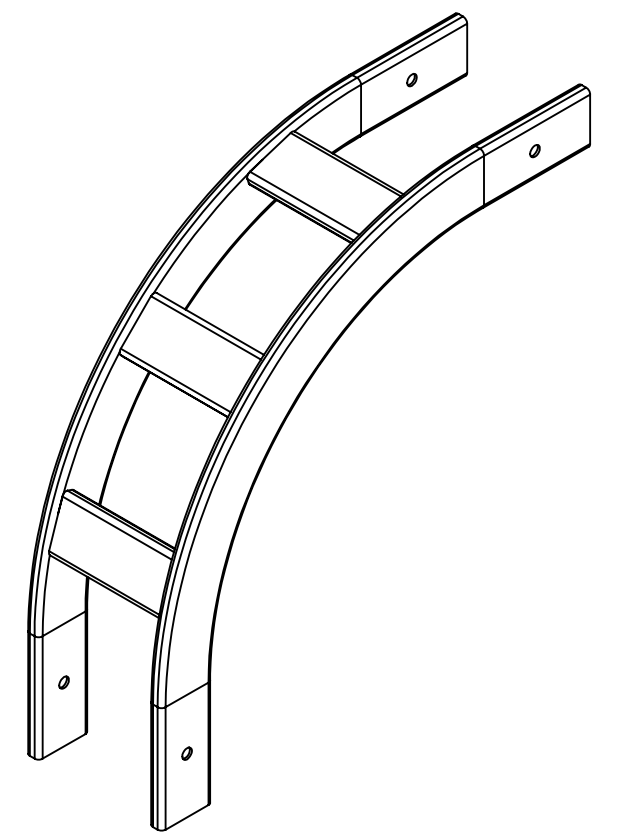
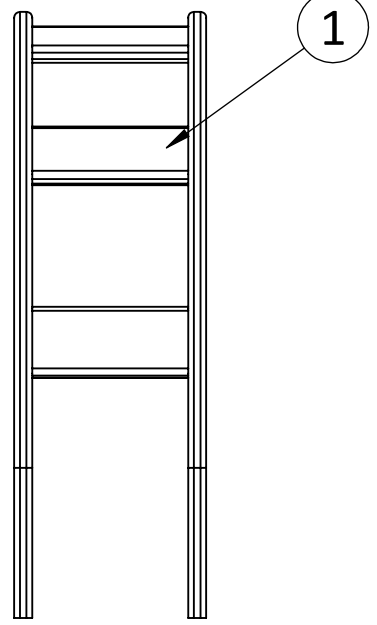
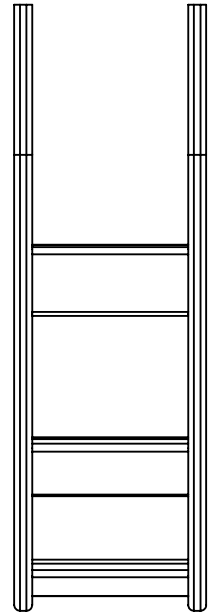
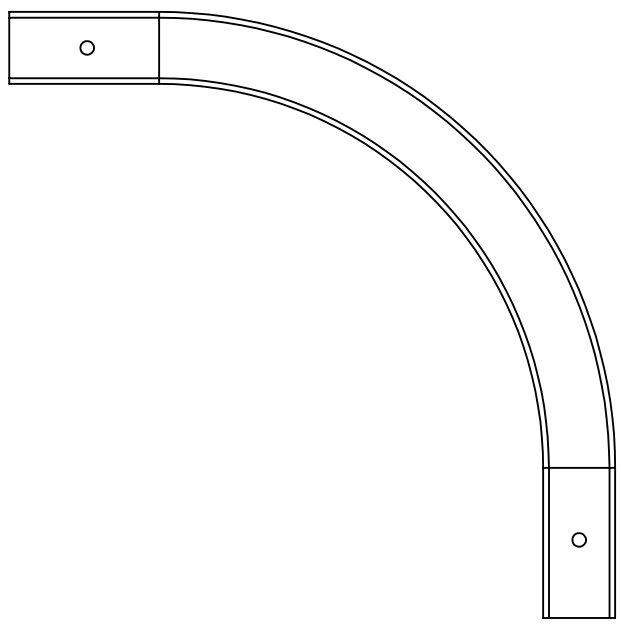


ITEM #	PART NUMBER	CONFIGURATION	DESCRIPTION	MATERIAL	QTY
1	WD-1073-01	X04	Global Cable Runway Outer Radius Bend Weldment		1



**RXL**  
**PROPRIETARY AND CONFIDENTIAL:**  
 THE INFORMATION CONTAINED IN THIS  
 DRAWING IS THE SOLE PROPERTY OF RXL.  
 ANY REPRODUCTION IN PART OR AS A  
 WHOLE WITHOUT THE WRITTEN  
 PERMISSION OF RXL IS PROHIBITED.

SERIES/FAMILY NUMBER:  
**RXL-1073**

DESCRIPTION:  
**RXL-1074 Global Cable Runway Outer Radius Bends**

REVISION	DATE	REVISION DESCRIPTION:
<b>A</b>	<b>1/7/2020</b>	<b>Initial</b>

CONFIGURATION (SEE TABLE DETAILS/"X" DENOTES COLOR):  
**X04**

COMMENTS/FOLDER PATH:  
 B:\RXL Inc\RXL Engineering - General\RXL\Section 1 - Cable Pathways\RXL-1073 Global Cable Runway Outer Radius Bends\

UNLESS OTHERWISE SPECIFIED:	MATERIAL:	FULL PART NUMBER:
DIMENSIONS ARE IN INCHES		<b>RXL-1073-X04</b>
TOLERANCES: $\pm 0.03$	FINISH:	DRAWN BY: Jackson Chong
FRACTIONAL: $\pm 1/32$	<b>PAINT</b>	DRAWN DATE: 1/7/2020
ANGULAR: $\pm 1^\circ$	WEIGHT:	DO NOT SCALE DRAWING
TWO PLACE DECIMAL $\pm 0.03$	<b>2.8lbs.</b>	Scale: 1:4
THREE PLACE DECIMAL $\pm 0.030$	SURFACE AREA:	DRAWING SIZE: <b>B</b>
	<b>335.34in.<sup>2</sup></b>	SHEET 1 OF 1