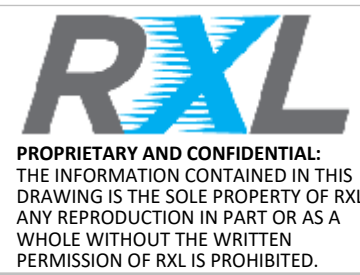
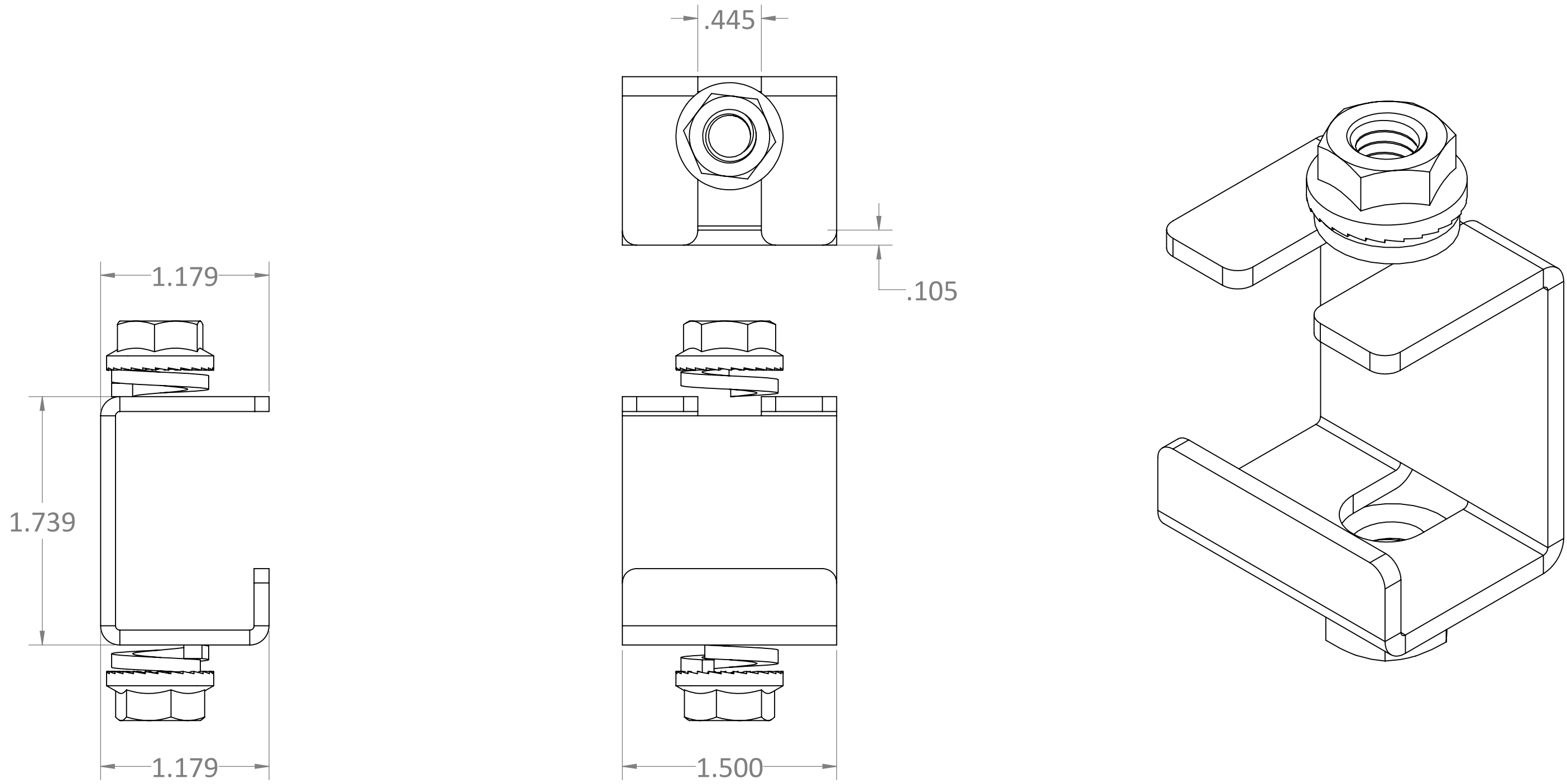


ITEM #	PART NUMBER	CONFIGURATION	DESCRIPTION	MATERIAL	QTY
1	AS-1067-01	X138	1in. H x 3/8"-16 Slotted Support Bracket Hardware Assembly		1



SERIES/FAMILY NUMBER: RXL-1067		CONFIGURATION (SEE TABLE DETAILS/"X" DENOTES COLOR): X138		COMMENTS/FOLDER PATH: B:\RXL Inc\RXL Engineering - General\RXL\Section 1 - Cable Pathways\RXL-1067 Slotted Support Bracket\	
DESCRIPTION: 1.5in. Stringer x 3/8 Thread Slotted Support Bracket		UNLESS OTHERWISE SPECIFIED: DIMENSIONS ARE IN INCHES TOLERANCES: ±0.03 FRACTIONAL: ±1/32 ANGULAR: ±1° TWO PLACE DECIMAL ±0.03 THREE PLACE DECIMAL ±0.030		MATERIAL:	FULL PART NUMBER: RXL-1067-X138
REVISION C	DATE 9/13/2022	REVISION DESCRIPTION: Smaller Height, Tighter Grip		FINISH: PAINT	DRAWN BY: Jackson Chong DRAWN DATE: 2/14/2019
				WEIGHT: 0.22lbs.	SURFACE AREA: 18.47in.²
				DO NOT SCALE DRAWING Scale: 1:4	
				DRAWING SIZE: B SHEET 1 OF 1	

8 7 6 5 4 3 2 1