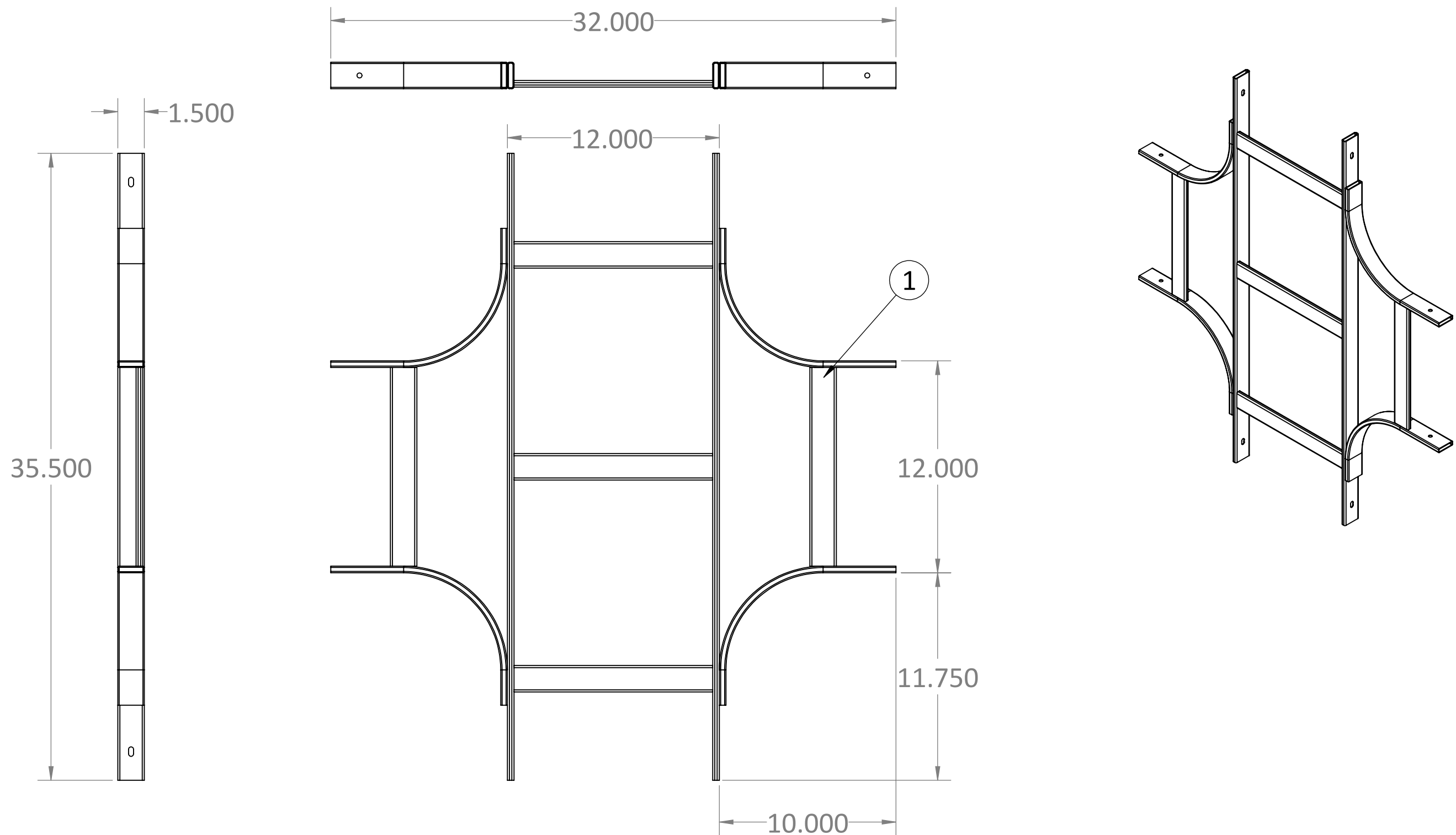


ITEM #	PART NUMBER	CONFIGURATION	REV	DESCRIPTION	MATERIAL	QTY
1	WD-1062-01	X12	A	Cross Section Weldment		1



**RXL**  
 PROPRIETARY AND CONFIDENTIAL:  
 THE INFORMATION CONTAINED IN THIS  
 DRAWING IS THE SOLE PROPERTY OF RXL.  
 ANY REPRODUCTION IN PART OR AS A  
 WHOLE WITHOUT THE WRITTEN  
 PERMISSION OF RXL IS PROHIBITED.

SERIES/FAMILY NUMBER:  
**RXL-1062**  
 DESCRIPTION:  
**RXL-1062 Global Runway Cross Section**  
 REVISION **A** DATE **1/20/2020** REVISION DESCRIPTION:  
 Initial

CONFIGURATION (SEE TABLE DETAILS/"X" DENOTES COLOR):  
**X12**

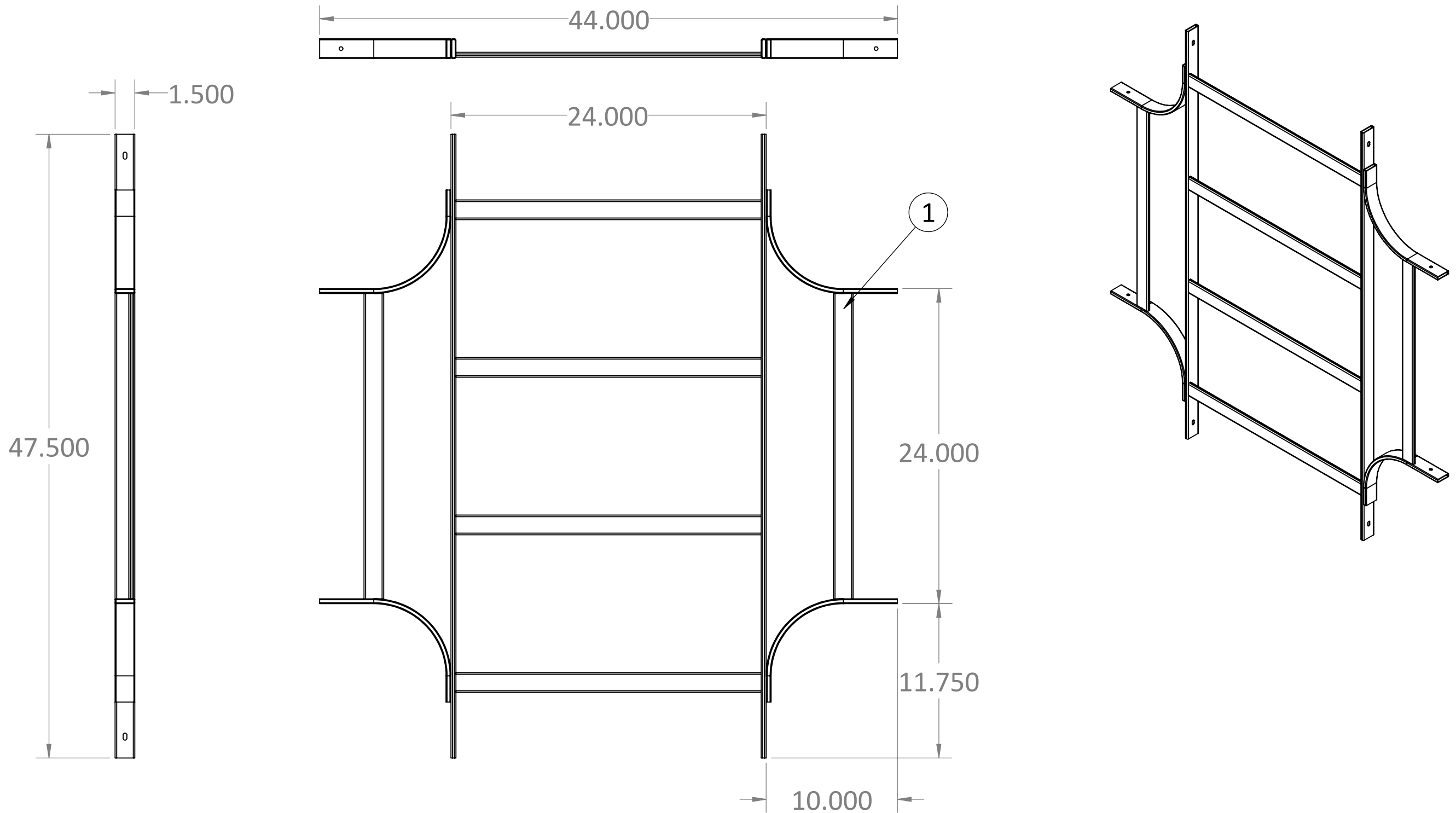
COMMENTS/FOLDER PATH:  
 D:\RXL Inc\RXL - Engineering - Documents\Section 1 - Cable Pathways\RXL-1062 Global Runway Cross Section\

UNLESS OTHERWISE SPECIFIED:  
 DIMENSIONS ARE IN INCHES  
 TOLERANCES: ±0.03  
 FRACTIONAL: ±1/32  
 ANGULAR: ±1°  
 TWO PLACE DECIMAL ±0.03  
 THREE PLACE DECIMAL ±0.030

MATERIAL:  
 FINISH:  
**PAINT**  
 WEIGHT:  
**10.67lbs.**  
 SURFACE AREA:  
**1270.23in.<sup>2</sup>**

FULL PART NUMBER:  
**RXL-1062-X12**  
 DRAWN BY: Jackson Chong  
 DRAWN DATE: 1/20/2020  
 DO NOT SCALE DRAWING  
 Scale: 1:4  
 DRAWING SIZE: **B**  
 SHEET 1 OF 2

ITEM #	PART NUMBER	CONFIGURATION	REV	DESCRIPTION	MATERIAL	QTY
1	WD-1062-01	X24	A	Cross Section Weldment		1



**PROPRIETARY AND CONFIDENTIAL:**  
THE INFORMATION CONTAINED IN THIS DRAWING IS THE SOLE PROPERTY OF RXL. ANY REPRODUCTION IN PART OR AS A WHOLE WITHOUT THE WRITTEN PERMISSION OF RXL IS PROHIBITED.

SERIES/FAMILY NUMBER: <b>RXL-1062</b>		
DESCRIPTION: RXL-1062 Global Runway Cross Section		
REVISION <b>A</b>	DATE <b>1/20/2020</b>	REVISION DESCRIPTION: Initial

CONFIGURATION (SEE TABLE DETAILS/"X" DENOTES COLOR):  
**X24**

COMMENTS/FOLDER PATH:  
D:\RXL Inc\RXL - Engineering - Documents\Section 1 - Cable Pathways\RXL-1062 Global Runway Cross Section\

UNLESS OTHERWISE SPECIFIED: DIMENSIONS ARE IN INCHES TOLERANCES: ±0.03 FRACTIONAL: ±1/32 ANGULAR: ±1° TWO PLACE DECIMAL ±0.03 THREE PLACE DECIMAL ±0.030	MATERIAL:	FULL PART NUMBER: RXL-1062-X24
	FINISH: <b>PAINT</b>	DRAWN BY: Jackson Chong DRAWN DATE: 1/20/2020
	WEIGHT: 16.73lbs.	SURFACE AREA: 1990.66in. <sup>2</sup> DO NOT SCALE DRAWING Scale: 1:4 DRAWING SIZE: B SHEET 2 OF 2