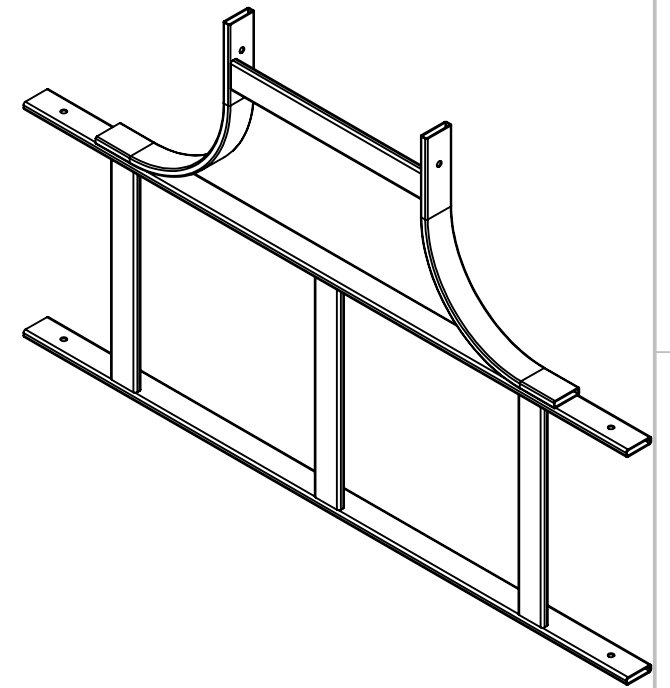
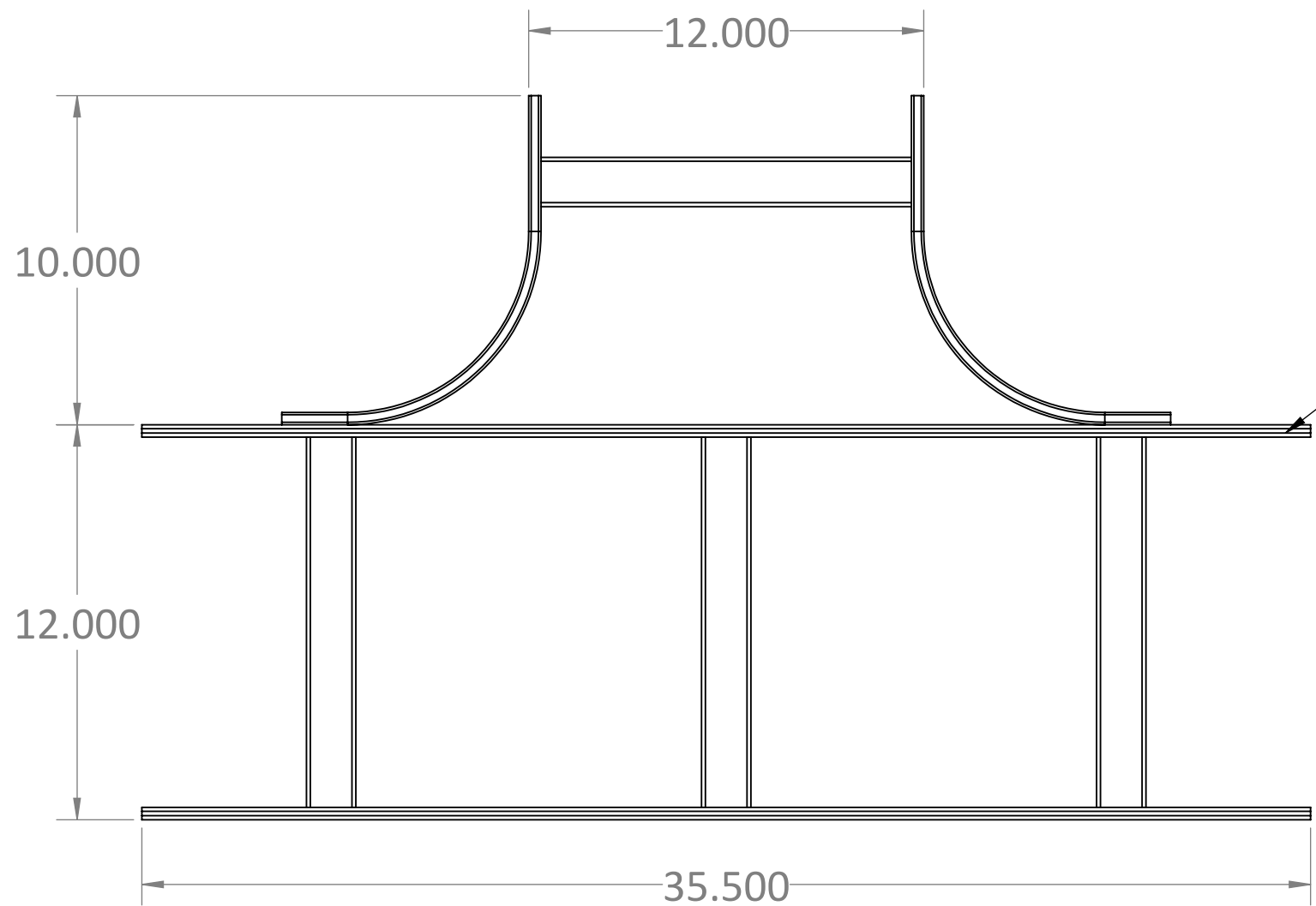
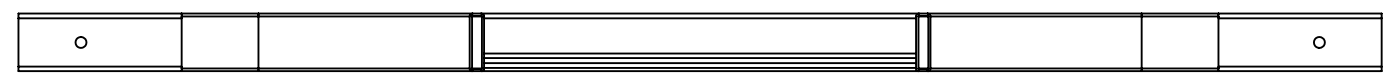
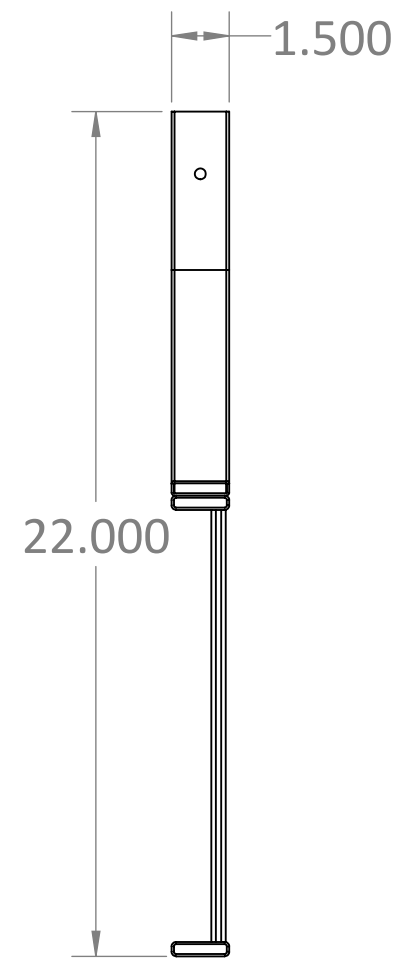


ITEM #	PART NUMBER	CONFIGURATION	DESCRIPTION	MATERIAL	QTY
1	WD-1061-01	X12	Global Runway Tee Section Weldment		1



RXL
 PROPRIETARY AND CONFIDENTIAL:
 THE INFORMATION CONTAINED IN THIS
 DRAWING IS THE SOLE PROPERTY OF RXL.
 ANY REPRODUCTION IN PART OR AS A
 WHOLE WITHOUT THE WRITTEN
 PERMISSION OF RXL IS PROHIBITED.

SERIES/FAMILY NUMBER:
RXL-1061

DESCRIPTION:
 RXL-1061 Global Runway Tee Section

REVISION	DATE
B	1/13/2020

REVISION DESCRIPTION:
 Adjusted Radius (6->5.5), End Sections

CONFIGURATION (SEE TABLE DETAILS/"X" DENOTES COLOR):
X12

COMMENTS/FOLDER PATH:
 B:\RXL Inc\RXL Engineering - General\RXL\Section 1 - Cable Pathways\RXL-1061 Global Runway Tee Section\

UNLESS OTHERWISE SPECIFIED:
 DIMENSIONS ARE IN INCHES
 TOLERANCES: ±0.03
 FRACTIONAL: ±1/32
 ANGULAR: ±1°
 TWO PLACE DECIMAL ±0.03
 THREE PLACE DECIMAL ±0.030

MATERIAL:	FULL PART NUMBER: RXL-1061-X12
FINISH: PAINT	DRAWN BY: Jackson Chong
WEIGHT: 9.04lbs.	DRAWN DATE: 1/13/2020
SURFACE AREA: 1075.92in. ²	DO NOT SCALE DRAWING Scale: 1:4
	DRAWING SIZE: B SHEET 1 OF 2

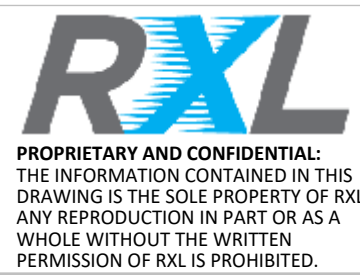
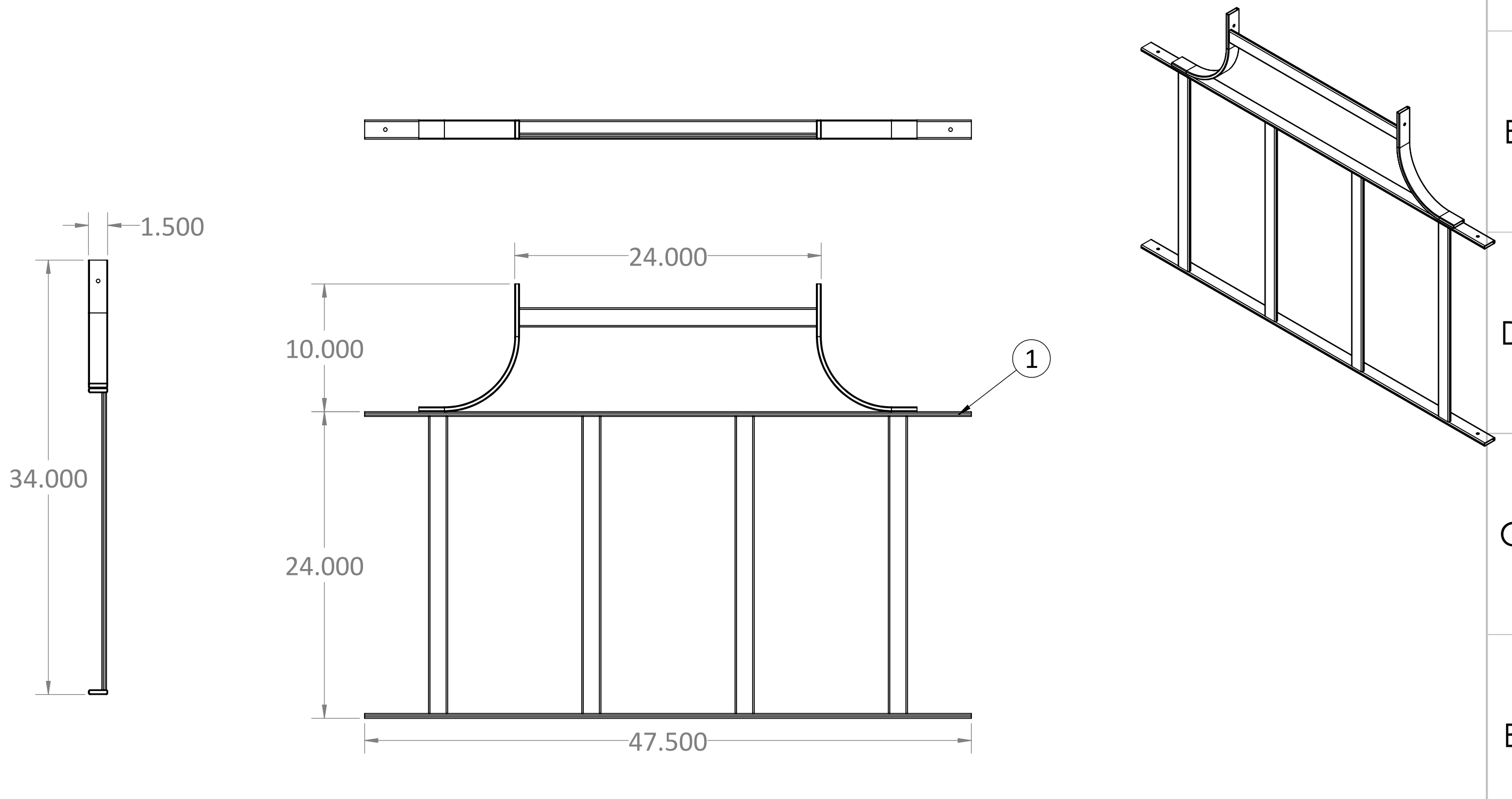
8	7	6	5	4	3	2	1
---	---	---	---	---	---	---	---

8 7 6 5 4 3 2 1

ITEM #	PART NUMBER	CONFIGURATION	DESCRIPTION	MATERIAL	QTY
1	WD-1061-01	X24	Global Runway Tee Section Weldment		1

F
E
D
C
B
A

F
E
D
C
B
A



SERIES/FAMILY NUMBER: RXL-1061		CONFIGURATION (SEE TABLE DETAILS/"X" DENOTES COLOR): X24		COMMENTS/FOLDER PATH: B:\RXL Inc\RXL Engineering - General\RXL\Section 1 - Cable Pathways\RXL-1061 Global Runway Tee Section\	
DESCRIPTION: RXL-1061 Global Runway Tee Section		UNLESS OTHERWISE SPECIFIED: DIMENSIONS ARE IN INCHES TOLERANCES: ±0.03 FRACTIONAL: ±1/32 ANGULAR: ±1°		MATERIAL:	FULL PART NUMBER: RXL-1061-X24
REVISION B	DATE 1/13/2020	REVISION DESCRIPTION: Adjusted Radius (6->5.5), End Sections		FINISH: PAINT	DRAWN BY: Jackson Chong DRAWN DATE: 1/13/2020
				WEIGHT: 14.43lbs.	SURFACE AREA: 1715.79in.²
				DO NOT SCALE DRAWING Scale: 1:4	
				DRAWING SIZE: B SHEET 2 OF 2	

8 7 6 5 4 3 2 1

A

A