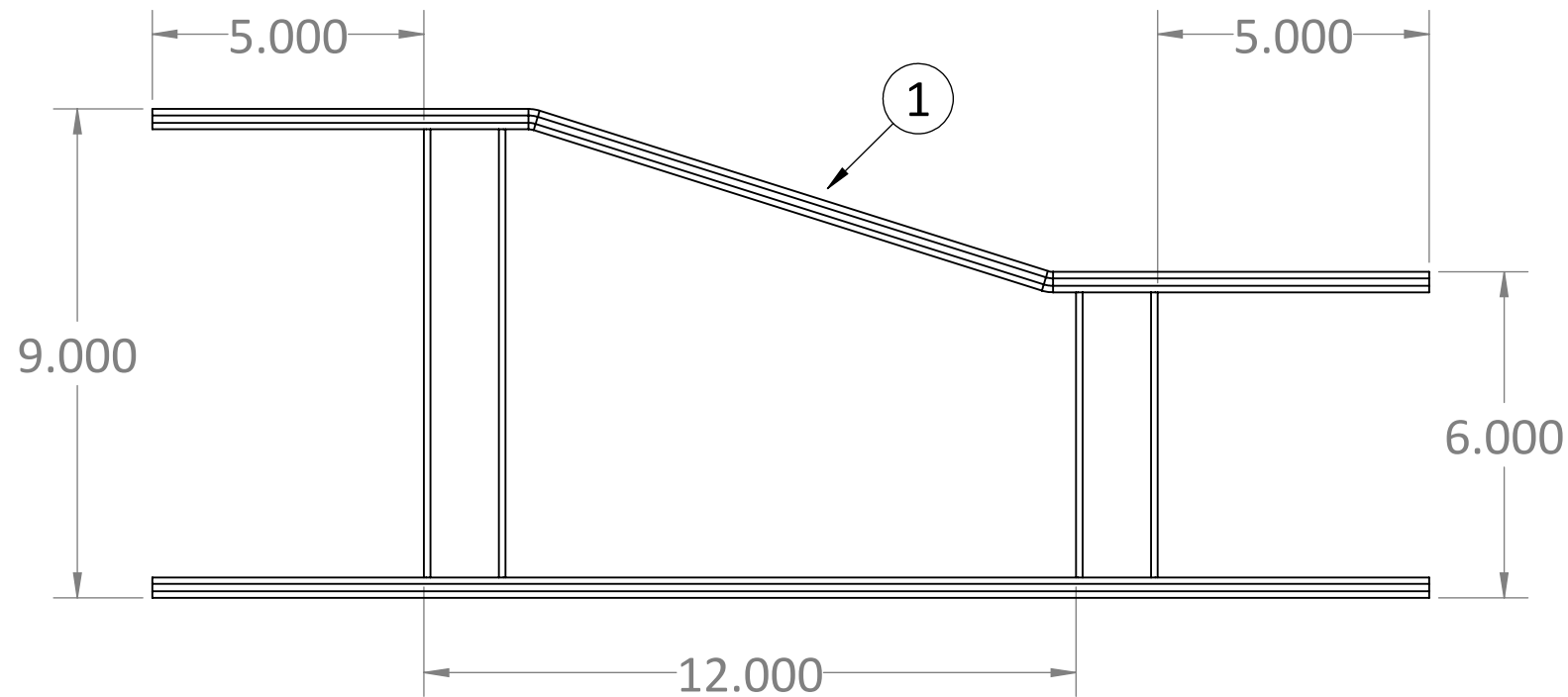
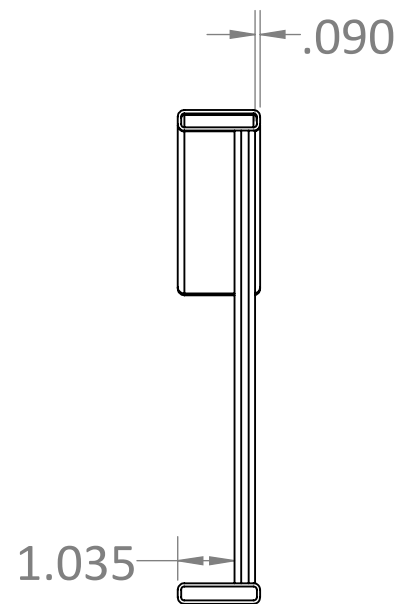
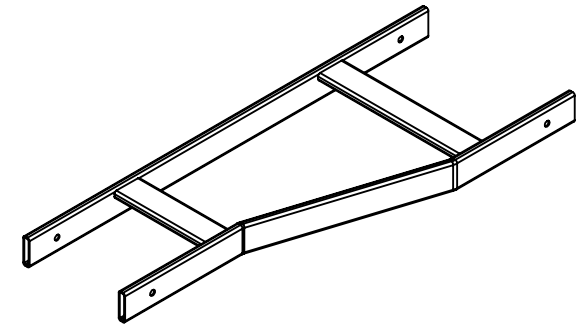
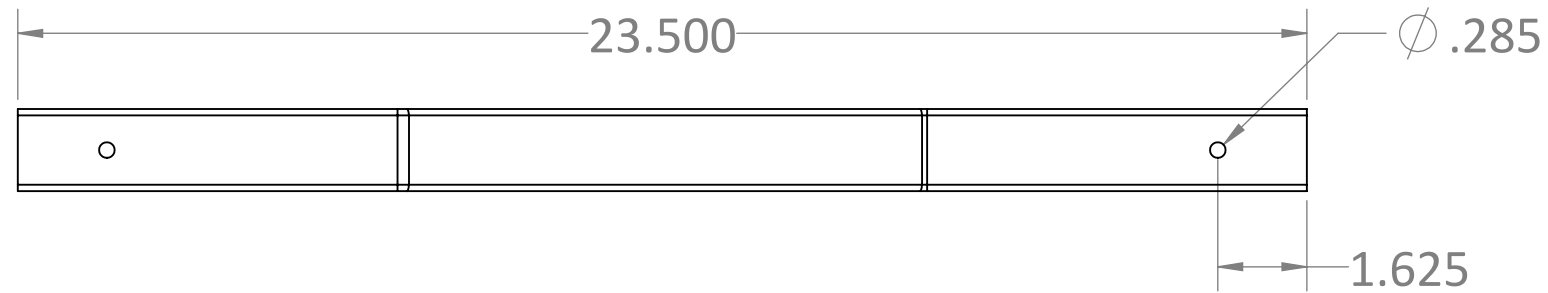


ITEM #	PART NUMBER	CONFIGURATION	DESCRIPTION	MATERIAL	QTY
1	WD-1057-01	X06	Global Cable Runway Left Reducer		1



PROPRIETARY AND CONFIDENTIAL:
THE INFORMATION CONTAINED IN THIS
DRAWING IS THE SOLE PROPERTY OF RXL.
ANY REPRODUCTION IN PART OR AS A
WHOLE WITHOUT THE WRITTEN
PERMISSION OF RXL IS PROHIBITED.

SERIES/FAMILY NUMBER:
RXL-1057

DESCRIPTION:
9in. to 6in. Global Cable Runway Left Reducer

REVISION
A

DATE
7/30/2019

REVISION DESCRIPTION:
Initial

CONFIGURATION (SEE TABLE DETAILS/"X" DENOTES COLOR):
X06

COMMENTS/FOLDER PATH:
B:\RXL Inc\RXL Engineering - General\RXL\Section 1 - Cable Pathways\RXL-1057 Global Cable Runway Left Reducer\

UNLESS OTHERWISE SPECIFIED:
DIMENSIONS ARE IN INCHES
TOLERANCES: ± 0.03
FRACTIONAL: $\pm 1/32$
ANGULAR: $\pm 1^\circ$
TWO PLACE DECIMAL ± 0.03
THREE PLACE DECIMAL ± 0.030

MATERIAL:
FINISH:
PAINT
WEIGHT:
3.44lbs.

SURFACE AREA:
410.27in.²

FULL PART NUMBER:
RXL-1057-X06

DRAWN BY: Jackson Chong
DRAWN DATE: 7/30/2019

DO NOT SCALE DRAWING
Scale: 1:4
DRAWING SIZE: B
SHEET 1 OF 1