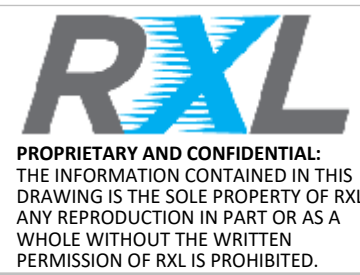
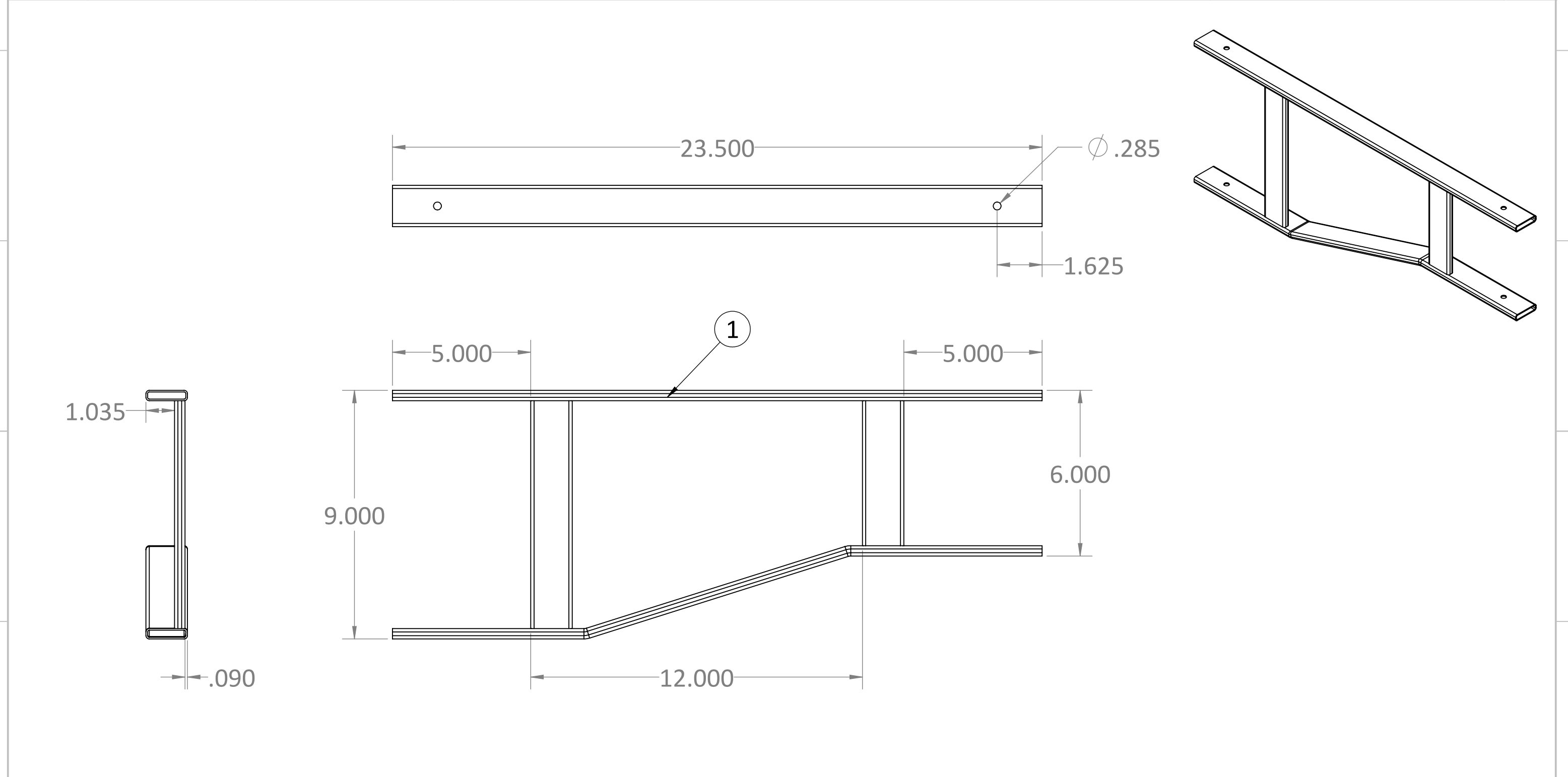


ITEM #	PART NUMBER	CONFIGURATION	DESCRIPTION	MATERIAL	QTY
1	WD-1056-01	X06			1



SERIES/FAMILY NUMBER: <b>RXL-1056</b>		CONFIGURATION (SEE TABLE DETAILS/"X" DENOTES COLOR): <b>X06</b>		COMMENTS/FOLDER PATH: B:\RXL Inc\RXL Engineering - General\RXL\Section 1 - Cable Pathways\RXL-1056 Global Cable Runway Right Reducer\	
DESCRIPTION: 9in. to 6in. Global Cable Runway Right Reducer				UNLESS OTHERWISE SPECIFIED: DIMENSIONS ARE IN INCHES TOLERANCES: ±0.03 FRACTIONAL: ±1/32 ANGULAR: ±1° TWO PLACE DECIMAL ±0.03 THREE PLACE DECIMAL ±0.030	
REVISION <b>A</b>	DATE <b>7/30/2019</b>	REVISION DESCRIPTION: Initial		MATERIAL:	FULL PART NUMBER: <b>RXL-1056-X06</b>
				FINISH: <b>PAINT</b>	DRAWN BY: Jackson Chong
				WEIGHT: <b>3.44lbs.</b>	DRAWN DATE: 7/30/2019
				SURFACE AREA: <b>410.27in.<sup>2</sup></b>	DO NOT SCALE DRAWING Scale: 1:4
					DRAWING SIZE: <b>B</b> SHEET 1 OF 1