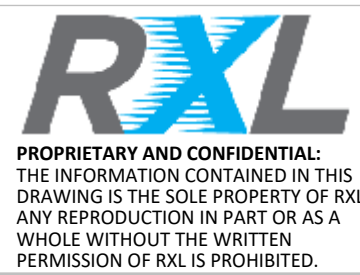
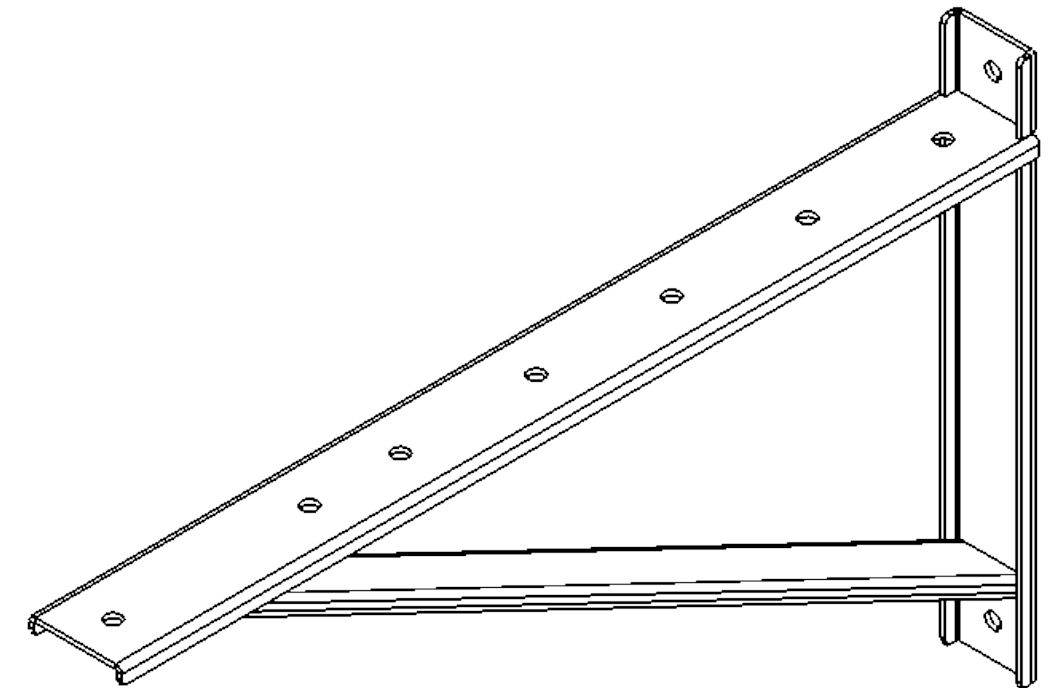
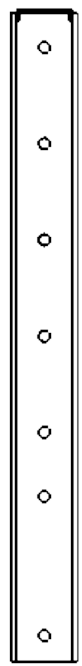
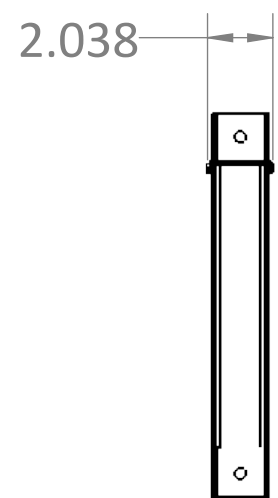
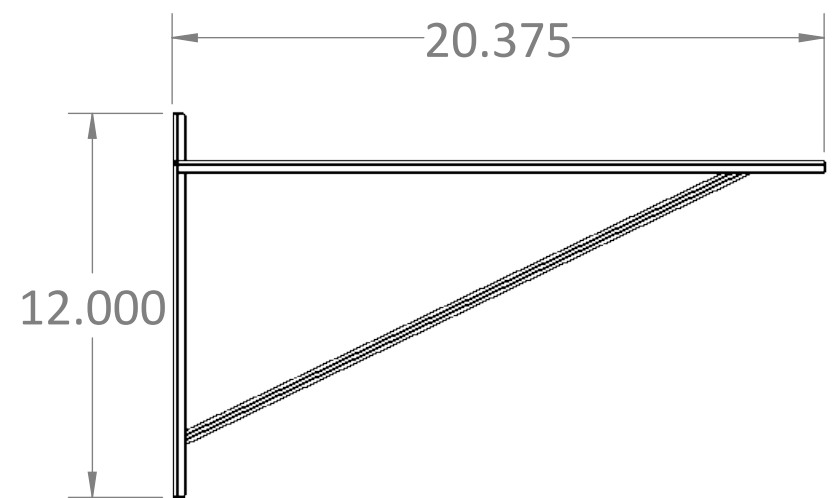


8 7 6 5 4 3 2 1

ITEM #	PART NUMBER	CONFIGURATION	DESCRIPTION	MATERIAL	QTY
1	WD-1029-01	X18	Triangle Bracket Weldment		1

F
E
D
C
B
A

F
E
D
C
B
A



SERIES/FAMILY NUMBER: RXL-1029		CONFIGURATION (SEE TABLE DETAILS/"X" DENOTES COLOR): X18		COMMENTS/FOLDER PATH: B:\RXL Inc\RXL Engineering - General\RXL\Section 1 - Cable Pathways\RXL-1029 Steel Triangle Bracket\			
DESCRIPTION: RXL-1029 Steel Triangle Bracket				UNLESS OTHERWISE SPECIFIED: DIMENSIONS ARE IN INCHES TOLERANCES: ±0.03 FRACTIONAL: ±1/32 ANGULAR: ±1°		MATERIAL:	FULL PART NUMBER: RXL-1029-X18
REVISION B	DATE 6/10/2022	REVISION DESCRIPTION: Wall Bracket Constant 12", Angle Tube changed		TWO PLACE DECIMAL ±0.03 THREE PLACE DECIMAL ±0.030		FINISH: PAINT	DRAWN BY: Jackson Chong DRAWN DATE: 9/14/2020
				WEIGHT: 3.4lbs.		SURFACE AREA: 297.71in. ²	DO NOT SCALE DRAWING Scale: 1:4
						DRAWING SIZE: B SHEET 1 OF 1	

8 7 6 5 4 3 2 1