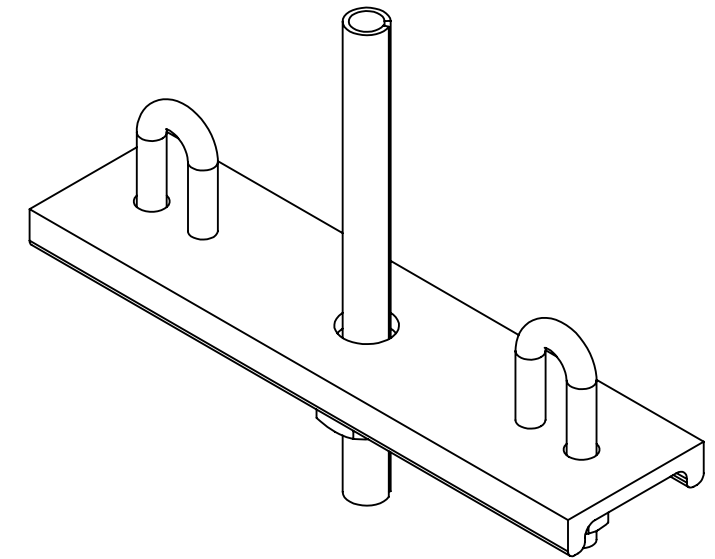
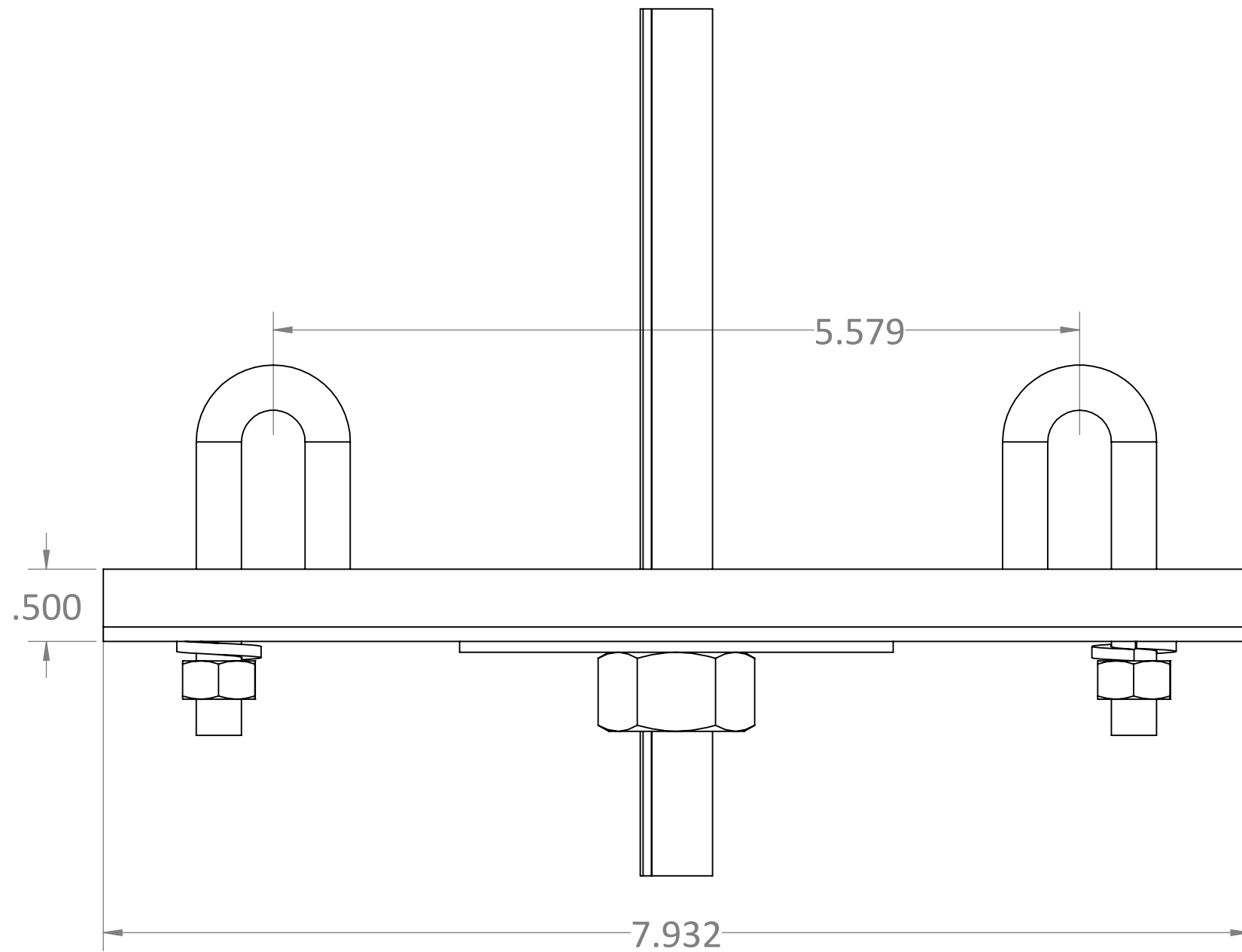


	8	7	6	5	4	3	2	1	
	ITEM #	PART NUMBER	CONFIGURATION	DESCRIPTION				MATERIAL	QTY
	1	AS-1026-01	X06	06in. L Center Support Bracket Hardware Assembly					1



PROPRIETARY AND CONFIDENTIAL:
THE INFORMATION CONTAINED IN THIS DRAWING IS THE SOLE PROPERTY OF RXL. ANY REPRODUCTION IN PART OR AS A WHOLE WITHOUT THE WRITTEN PERMISSION OF RXL IS PROHIBITED.

SERIES/FAMILY NUMBER:
RXL-1026

DESCRIPTION:
06in. L Center Support Bracket

REVISION	DATE	REVISION DESCRIPTION:
A	6/16/2020	Initial

CONFIGURATION (SEE TABLE DETAILS/"X" DENOTES COLOR):
X06

COMMENTS/FOLDER PATH:
B:\RXL Inc\RXL Engineering - General\RXL\Section 1 - Cable Pathways\RXL-1026 Center Support Bracket\

UNLESS OTHERWISE SPECIFIED: DIMENSIONS ARE IN INCHES TOLERANCES: ±0.03 FRACTIONAL: ±1/32 ANGULAR: ±1° TWO PLACE DECIMAL ±0.03 THREE PLACE DECIMAL ±0.030	MATERIAL:	FULL PART NUMBER: RXL-1026-X06
	FINISH: PAINT	DRAWN BY: Jackson Chong DRAWN DATE: 6/16/2020
	WEIGHT: 4.53lbs.	SURFACE AREA: 392.35in.² DO NOT SCALE DRAWING Scale: 1:4

	8	7	6	5	4	3	2	1
--	---	---	---	---	---	---	---	---