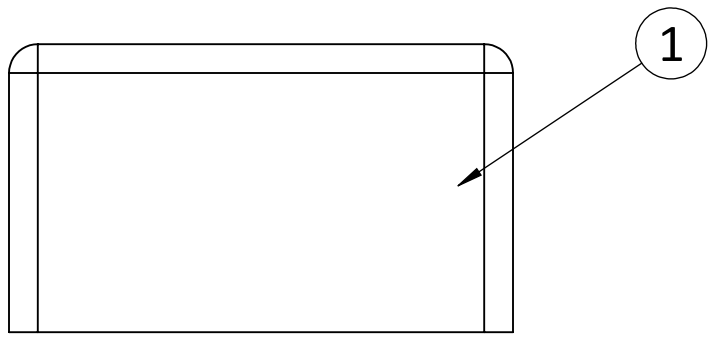
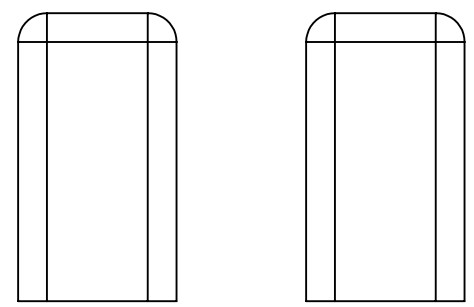
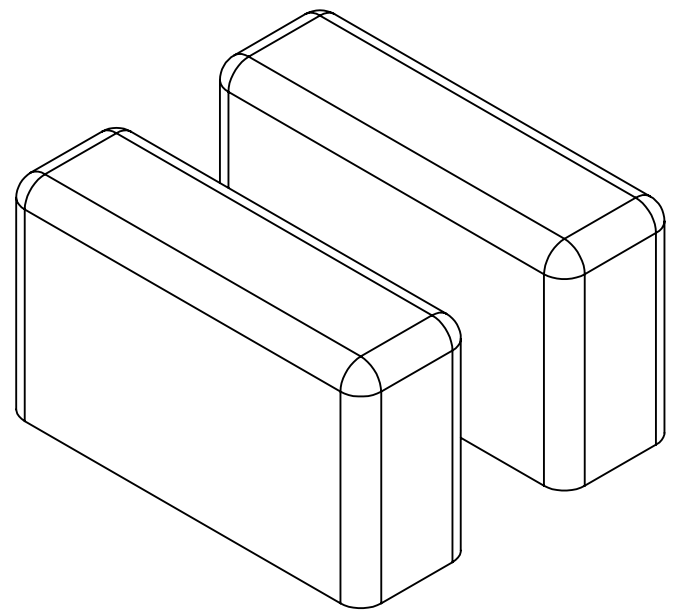
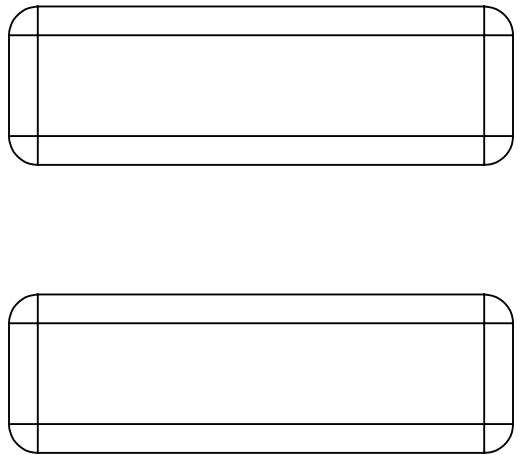



	8	7	6	5	4	3	2	1
	ITEM #	PART NUMBER	CONFIGURATION	DESCRIPTION			MATERIAL	QTY
F	1	AS-1024-01	X01	Stringer End Caps Hardware Assembly				1



 PROPRIETARY AND CONFIDENTIAL: THE INFORMATION CONTAINED IN THIS DRAWING IS THE SOLE PROPERTY OF RXL. ANY REPRODUCTION IN PART OR AS A WHOLE WITHOUT THE WRITTEN PERMISSION OF RXL IS PROHIBITED.	SERIES/FAMILY NUMBER: RXL-1024		CONFIGURATION (SEE TABLE DETAILS/"X" DENOTES COLOR): X01		COMMENTS/FOLDER PATH: B:\RXL Inc\RXL Engineering - General\RXL\Section 1 - Cable Pathways\RXL-1024 Stringer End Caps\				
	DESCRIPTION: RXL-1024 Stringer End Caps					UNLESS OTHERWISE SPECIFIED: DIMENSIONS ARE IN INCHES TOLERANCES: ±0.03 FRACTIONAL: ±1/32 ANGULAR: ±1° TWO PLACE DECIMAL ±0.03 THREE PLACE DECIMAL ±0.030		MATERIAL: FINISH: PAINT	FULL PART NUMBER: RXL-1024-X01 DRAWN BY: Jackson Chong DRAWN DATE: 11/14/2019
	REVISION A	DATE 11/14/2019	REVISION DESCRIPTION: Initial			WEIGHT: 0.03lbs.	SURFACE AREA: 18.66in.²	DO NOT SCALE DRAWING Scale: 1:4	DRAWING SIZE: B SHEET 1 OF 1

	8	7	6	5	4	3	2	1
--	---	---	---	---	---	---	---	---