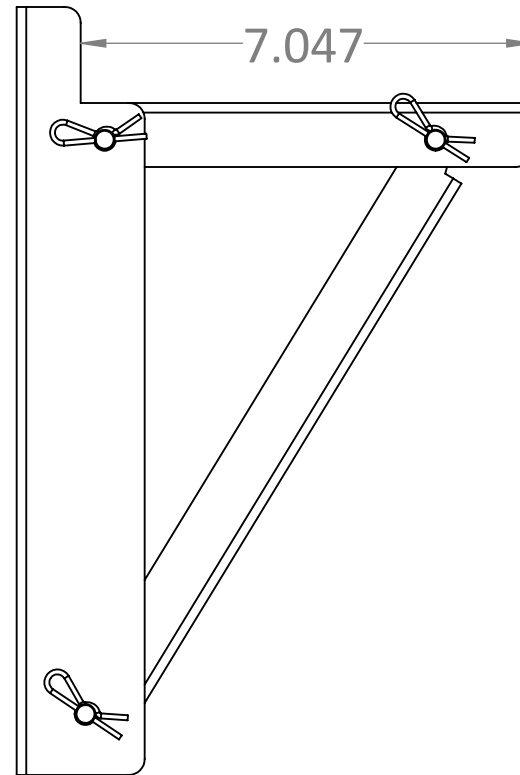
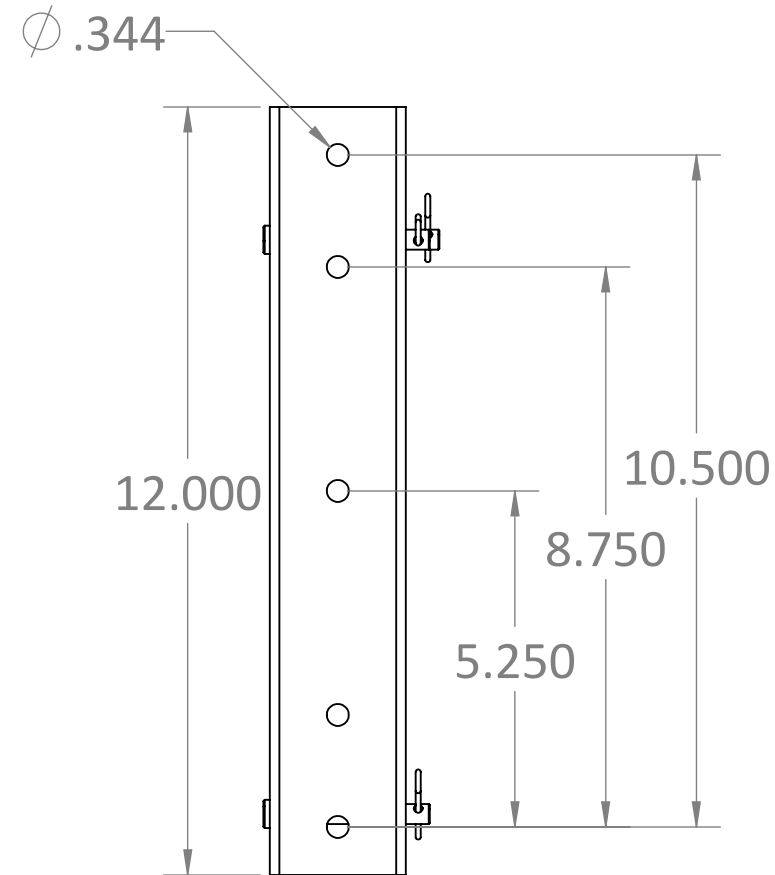
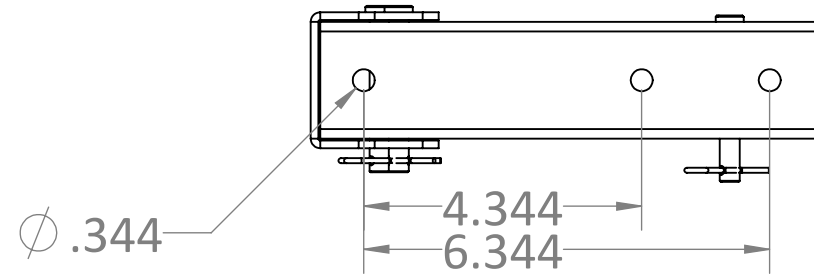
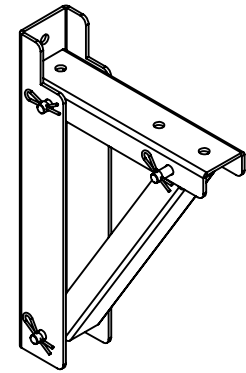


ITEM #	PART NUMBER	CONFIGURATION	REV	DESCRIPTION	MATERIAL	QTY
1	AS-1007-01	X24L	C	24in. W Ladder Modular Triangle Assembly		1



PROPRIETARY AND CONFIDENTIAL:
THE INFORMATION CONTAINED IN THIS DRAWING IS THE SOLE PROPERTY OF RXL. ANY REPRODUCTION IN PART OR AS A WHOLE WITHOUT THE WRITTEN PERMISSION OF RXL IS PROHIBITED.

SERIES/FAMILY NUMBER:
RXL-1007

DESCRIPTION:
06in. W Ladder Modular Triangle Bracket

REVISION
C

DATE
3/14/2023

REVISION DESCRIPTION:
Update to File Structure

CONFIGURATION (SEE TABLE DETAILS/"X" DENOTES COLOR):
X06L

COMMENTS/FOLDER PATH:
D:\RXL Inc\RXL - Engineering - Section 1 - Cable Pathways\RXL-1007 Modular Triangle Bracket\

UNLESS OTHERWISE SPECIFIED:
DIMENSIONS ARE IN INCHES
TOLERANCES: ± 0.03
FRACTIONAL: $\pm 1/32$
ANGULAR: $\pm 1^\circ$
TWO PLACE DECIMAL ± 0.03
THREE PLACE DECIMAL ± 0.030

MATERIAL:
FINISH:
PAINT
WEIGHT:
4.44lbs.

SURFACE AREA:
277.66in.²

FULL PART NUMBER:
RXL-1007-X06L

DRAWN BY: Jackson Chong
DRAWN DATE: 9/17/2020

DO NOT SCALE DRAWING
Scale: 1:4
DRAWING SIZE: **B**
SHEET 1 OF 1

8	7	6	5	4	3	2	1
---	---	---	---	---	---	---	---